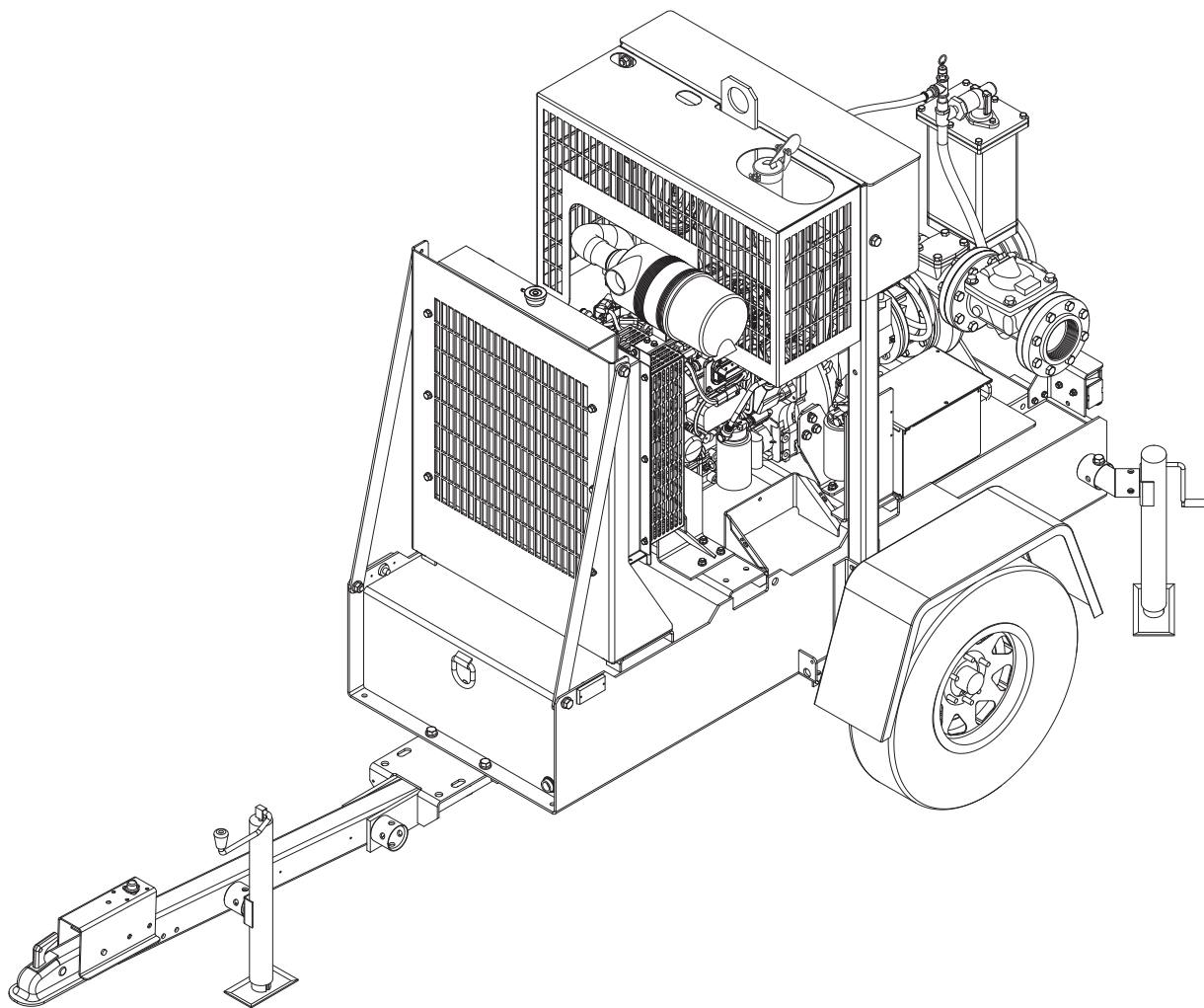


GENERAC[®]

**MOBILE
PRODUCTS**

**DRY-PRIME DIESEL TRASH PUMP
MTP4000DZV**



01348

PARTS MANUAL

▲ WARNING

CALIFORNIA PROPOSITION 65 WARNING: Diesel engine exhaust and some of its constituents are known to the state of California to cause cancer, birth defects, and other reproductive harm.

▲ WARNING

CALIFORNIA PROPOSITION 65 WARNING: This product contains or emits chemicals known to the state of California to cause cancer, birth defects, and other reproductive harm.

Introduction

This parts manual was prepared based on the information available at the time of publication and is subject to change without notice. Generac Mobile Products, LLC reserves the right to change parts at any time. To check whether a revised parts manual is available, contact Generac Mobile Products, LLC.

DO NOT MODIFY or use this equipment for any application other than which it was designed for. To keep your equipment fully operational, it is suggested you maintain a stock of commonly used maintenance or service parts. A recommended spare parts list can be found in the back of this manual. To order service parts, please go to the Generac website or call Generac Mobile Products, LLC.

▲ WARNING

Before operating or servicing this equipment, read and understand the Generac Operating Manual which was included with the unit when shipped from the factory. Failure to do so increases the risk of injury to yourself or others.

GENERAC MOBILE PRODUCTS, LLC

215 Power Drive • Berlin, WI 54923 U.S.A.

Phone: 920-361-4442

FAX: 920-361-4416

Toll Free: 1-800-926-9768

www.generacmobile.com

For technical or parts QUESTIONS, please contact the Generac Mobile Products, LLC Customer Support or Technical Support team at 1-800-926-9768.

Engine Make: _____

Engine Serial Number: _____

Engine Model Number: _____

Pump Make: _____

Pump Model Number: _____

Pump Serial Number: _____

Unit Model Number: _____

Unit Serial Number: _____

This Page Intentionally Left Blank

Table of Contents

Introduction	iii
Parts Manual Instructions	1
Unit Decals - Left Side	2
Unit Decals - Right Side	3
Control Box Assembly	4
Air Filter Assembly	6
Exhaust System Assembly	8
Cooling System Assembly	10
Engine and Pump to Skid Assembly	12
Engine Assembly - Left Side	14
Engine Assembly - Right Side	16
External Pump Assembly	18
Pump Air Compressor Assembly	20
Bearing Frame Assembly	22
Priming Chamber Assembly	24
Internal Pump Assembly	26
Lift Support Assembly	28
Fuel Tank Assembly (1 of 2)	30
Fuel Tank Assembly (2 of 2)	32
Trailer Assembly	34
Trailer Hitch Options	36
Axle Assembly	38
Trailer Brake Lines	40
Recommended Spare Parts List	42

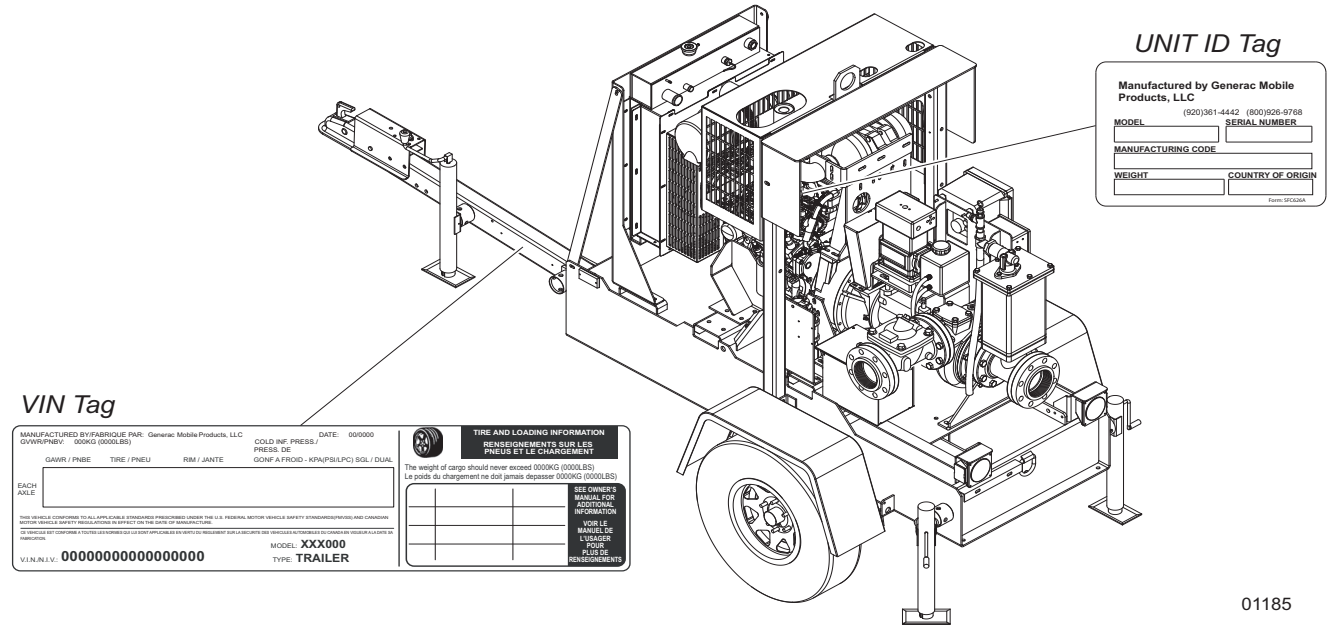
This Page Intentionally Left Blank

Parts Manual Instructions

Product illustrations are only representations. Products supplied may vary from the illustrations in this parts manual. Parts not shown in the illustration are indicated by a double dash (--) in the item column.

Please be prepared to provide the following information when ordering replacement parts: model number, serial number (on unit serial tag), part number, purchase order number (if applicable), shipping address, shipping method.

Refer to the illustration below to locate the unit ID tag and Vehicle Identification Number (VIN) tag on the unit. Important information, such as the unit serial number, model number, VIN and tire loading information are found on these tags. Record the information from these tags so it is available if the tags are lost or damaged. When ordering parts or requesting assistance, you may be asked to provide this information.



01185

UNIT DECALS - LEFT SIDE

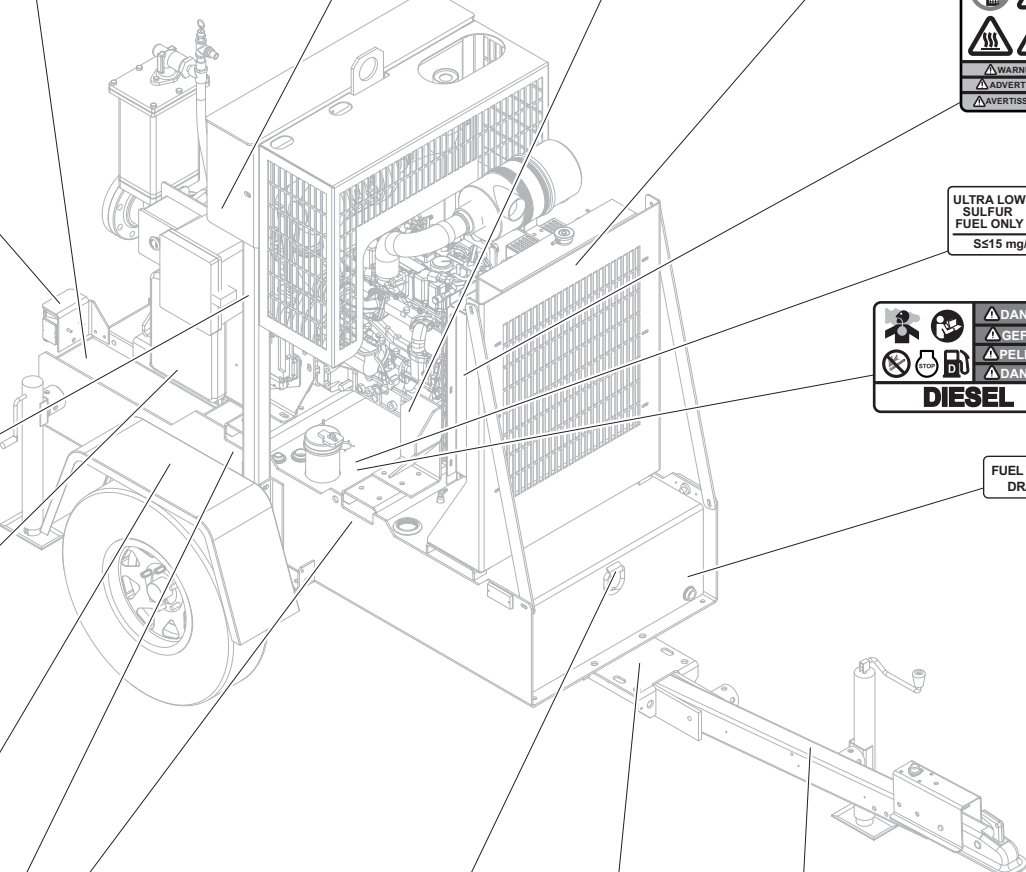
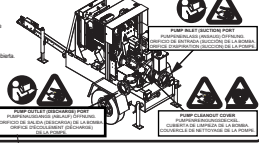
<p>PUMP OPERATION</p> <ol style="list-style-type: none"> 1. Level unit with all three jacks. 2. Attach intake and outlet hoses/piping. 3. Emergency stop off. Engine start switch to "Start". 4. Allow pump to prime. 5. Allow pump to cool if overheated. 6. If pressureless, vent pump slowly at casing drain. 7. Read operator's manual before reassembly. <p>FUNCTIONNEMENT DE LA POMPE</p> <ol style="list-style-type: none"> 1. Nivelar la unidad con los tres dispositivos niveladores. 2. Conectar las mangueras/condiciones de entrada y salida. 3. Desactivar el botón de emergencia. Colocar el interruptor de arranque del motor en "Start" (arranque). 4. Que el agua se ventile en su caso. 5. Permitir que la bomba se ventile si está sobrecalentada. 6. Si está presurizada, ventilar lentamente la bomba a través del escape de la cubierta. 7. Leer el manual del operador antes de volver a ponerla en marcha. 	<p>1. Mettre la pompe à niveau avec les trois pieds.</p> <p>2. Attacher les tuyaux/condiciones d'entrée et de sortie.</p> <p>3. Désactiver l'arrêt d'urgence. Mettre l'interrupteur de démarrage du moteur sur "Start" (démarrage).</p> <p>4. Laisser la pompe à amorcer.</p> <p>5. Laisser la pompe refroidir s'elle est surchauffée.</p> <p>6. Si la pompe est pressurisée, vider lentement la pompe par le réglage de la cage.</p> <p>7. Lire le manuel d'utilisation avant la remise en service.</p>
--	---

<p>WARNING</p> <p>This pump is designed for use only with water containing suspended solids. Do not operate in an application not intended.</p> <p>Do not attempt use with caustics, corrosive or flammable materials or fluids. Damage to the pump or water body damage may occur.</p>
<p>WARNING</p> <p>Diese Pumpe ist nur zum Pumpen von Wasser mit schwebstoffhaltigen Partikeln. Sie sind nicht für andere Anwendungen vorgesehen.</p> <p>Nicht für ätzende, korrosive oder entzündliche Materialien oder Flüssigkeiten verwenden. Beschädigung der Pumpe oder Wasserkörperbeschädigung können eintreten.</p>
<p>ADVERTENCIA</p> <p>Esta bomba está diseñada para usarse sólo con agua que contenga sólidos en suspensión. No operar en aplicaciones no previstas.</p> <p>No intente usar con materiales o líquidos volátiles, corrosivos o inflamables. Pueden causar daños a la bomba o a cuerpos acuáticos.</p>
<p>AVERTISSEMENT</p> <p>Cette pompe est conçue pour être utilisée uniquement avec de l'eau. Ne pas la faire fonctionner. La pompe n'est pas un environnement appliqué. Ne pas utiliser avec des matériaux ou des liquides corrosifs, corrosifs ou inflammables.</p> <p>Cette pompe n'est conçue que pour être utilisée uniquement avec de l'eau. Ne pas la faire fonctionner. La pompe n'est pas un environnement appliqué. Ne pas utiliser avec des matériaux ou des liquides corrosifs, corrosifs ou inflammables.</p> <p>Le pompe n'est pas conçue pour être utilisée uniquement avec de l'eau. Ne pas la faire fonctionner. La pompe n'est pas un environnement appliqué. Ne pas utiliser avec des matériaux ou des liquides corrosifs, corrosifs ou inflammables.</p>

<p>WARNING</p> <p>Do not automatically shut which can cause serious injury. Disconnect battery before servicing.</p>
<p>WARNING</p> <p>Do not automatically shut which can cause serious injury. Disconnect battery before servicing.</p>
<p>ADVERTENCIA</p> <p>Do not automatically shut which can cause serious injury. Disconnect battery before servicing.</p>
<p>AVERTISSEMENT</p> <p>Do not automatically shut which can cause serious injury. Disconnect battery before servicing.</p>

	<p>WARNING</p> <p>WARNING</p> <p>ADVERTENCIA</p> <p>AVERTISSEMENT</p>
--	---

<p>BEDEIUNG DER PUMPE</p> <ol style="list-style-type: none"> 1. Gerät mit allen drei Niveaugeräten nivellieren. 2. Ansaug- und Ablassschläuche/rohre anschließen. 3. Notstop ausschalten. Motorschaltknopf stellen auf "Start" stellen. 4. Pumpe ventillieren lassen. 5. Bei Überdruckpumpe langsam am Ventilschraubventil ablassen. 6. Vor dem Zusammenbau des Motorschaltknopfes lesen.
--



<p>WARNING</p> <p>WARNING</p> <p>ADVERTENCIA</p> <p>AVERTISSEMENT</p>

ULTRA LOW SULFUR FUEL ONLY
S515 mg/kg

<p>DANGER</p> <p>GEFAHR</p> <p>PELIGRO</p> <p>DANGER</p> <p>DIESEL</p>

FUEL TANK DRAIN

--

Operator's manual must be stored on machine. Read/consult operator's manual before starting. Read/consult operator's manual before starting. Read/consult operator's manual before starting. Read/consult operator's manual before starting.

--

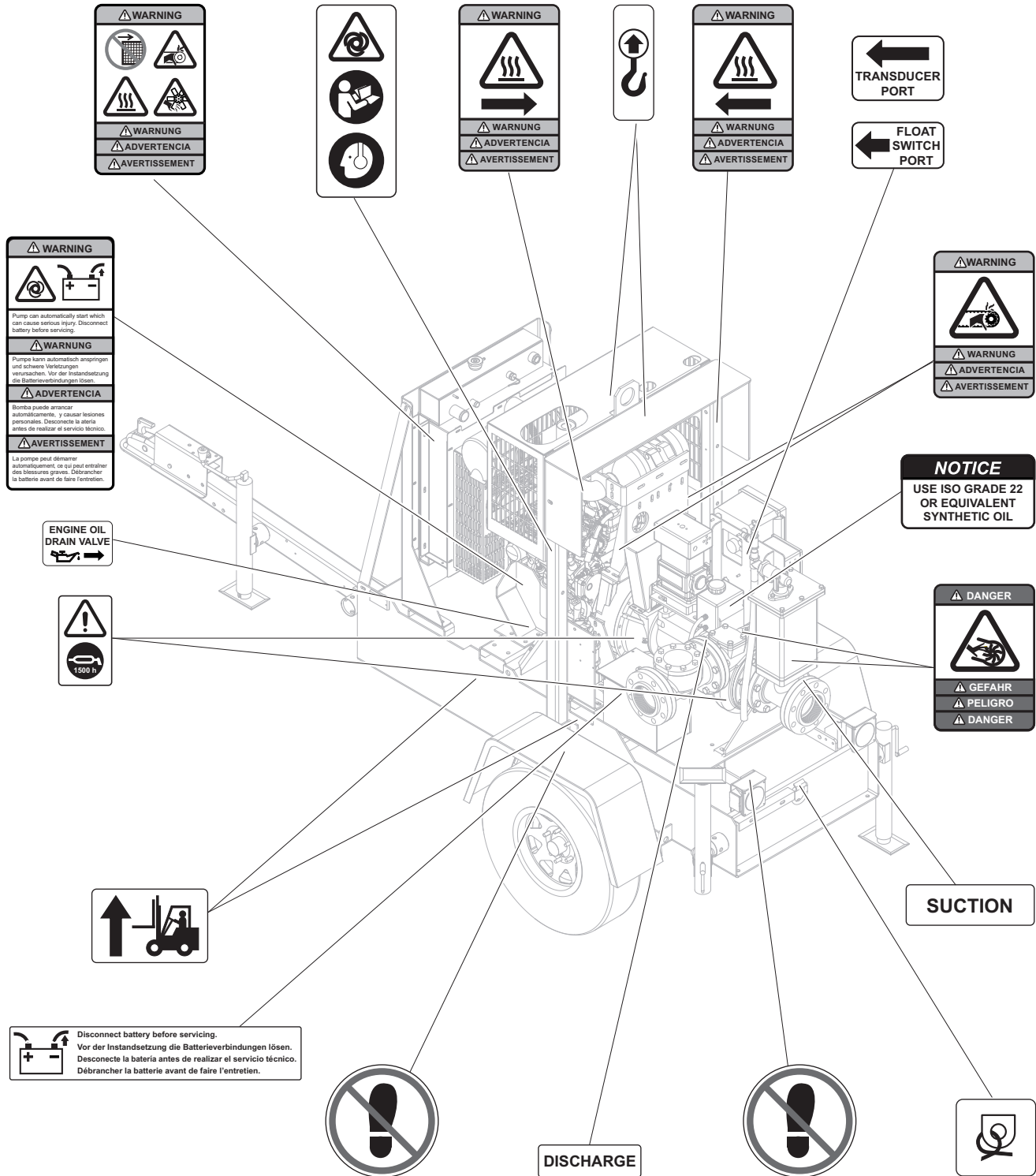
--

--

<p>TOWING INSTRUCTIONS</p> <ol style="list-style-type: none"> 1. Read operator's manual. 2. Use hitch rated for trailer's gross vehicle weight rating. 3. Securely attach trailer to tow vehicle. 4. Attach safety chains using a cross pattern. 5. Attach breakaway chain to vehicle. 6. Check trailer lights. 	<p>ABSCHLEPPINSTRUKTIONEN</p> <ol style="list-style-type: none"> 1. Betriebsanweisung lesen. 2. Anhängerkupplung verwenden, die der gemächlichen/brutto-Gesamtwicht entspricht. 3. Anhängerkette sicher an Kupplung befestigen. 4. Absicherketten kreuzweise anbringen. 5. Anhängerkette am Abbremszug anbringen. 6. Anhängerkette prüfen. 	<p>INSTRUCCIONES DE REMOLQUE</p> <ol style="list-style-type: none"> 1. Lea el manual del operador. 2. Utilice un acople correspondiente clasificado para la "Carga bruta total" del remolque de remolque. 3. Asegurese de acoplar correctamente el remolque al vehículo de remolque. 4. Fije en cruz las cadenas de seguridad. 5. Fije en el vehículo de remolque la cadena de desprendimiento. 6. Compruebe las luces del remolque. 	<p>INSTRUCTIONS DE REMORQUAGE</p> <ol style="list-style-type: none"> 1. Lire le notice d'emploi. 2. Utiliser un crochet d'attelage conforme au poids nominal du poids total du véhicule du véhicule tracteur. 3. Attacher la remorque fermement au véhicule tracteur. 4. Attacher les chaînes de sécurité en utilisant une méthode en croix. 5. Attacher la chaîne de débrayage au véhicule tracteur. 6. Vérifier les lampes de la remorque.
--	---	---	---

Note: All safety and operating decals are located on decal sheet 31615 unless otherwise noted.

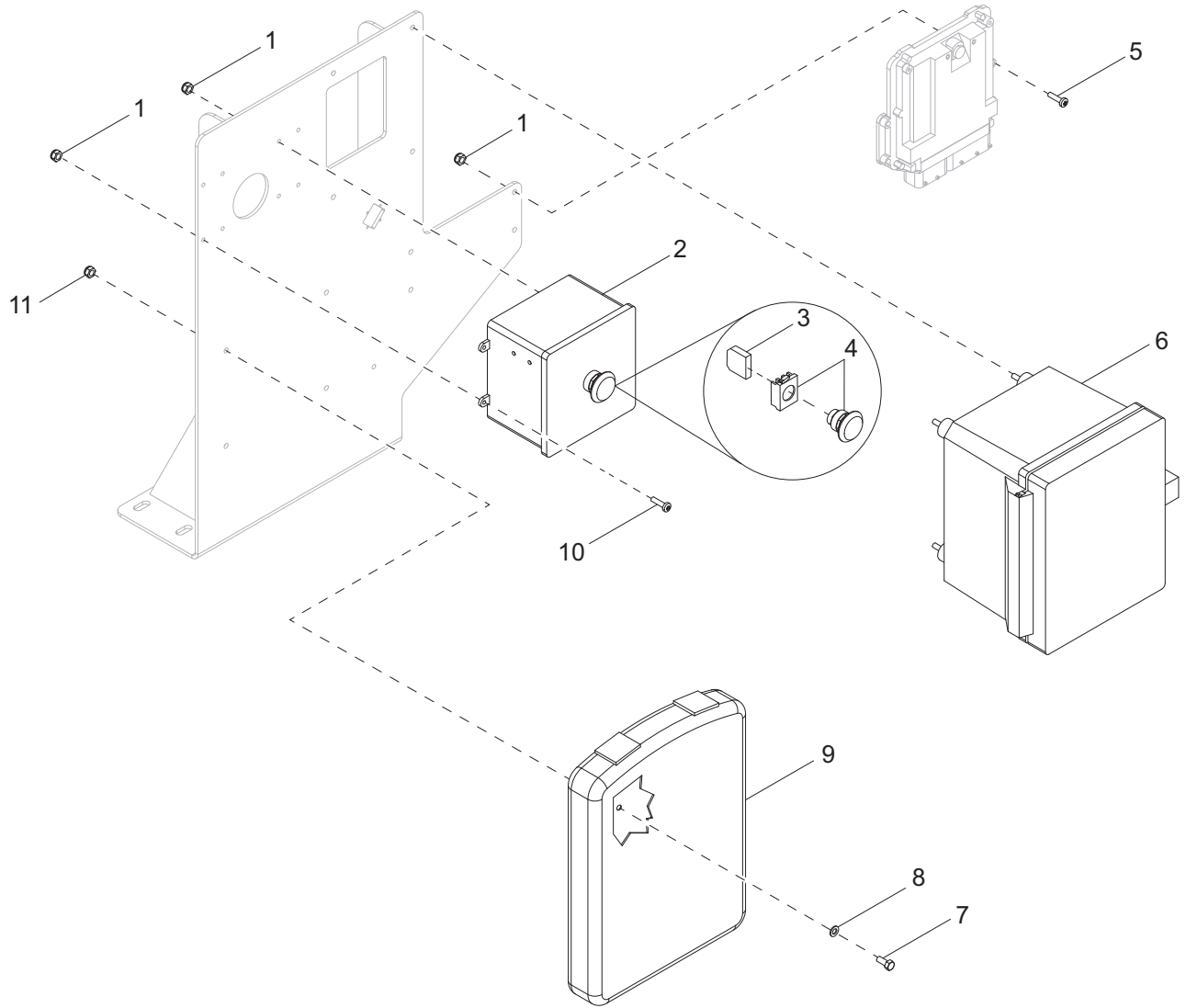
UNIT DECALS - RIGHT SIDE



01327

Note: All safety and operating decals are located on decal sheet 31615 unless otherwise noted.

CONTROL BOX ASSEMBLY

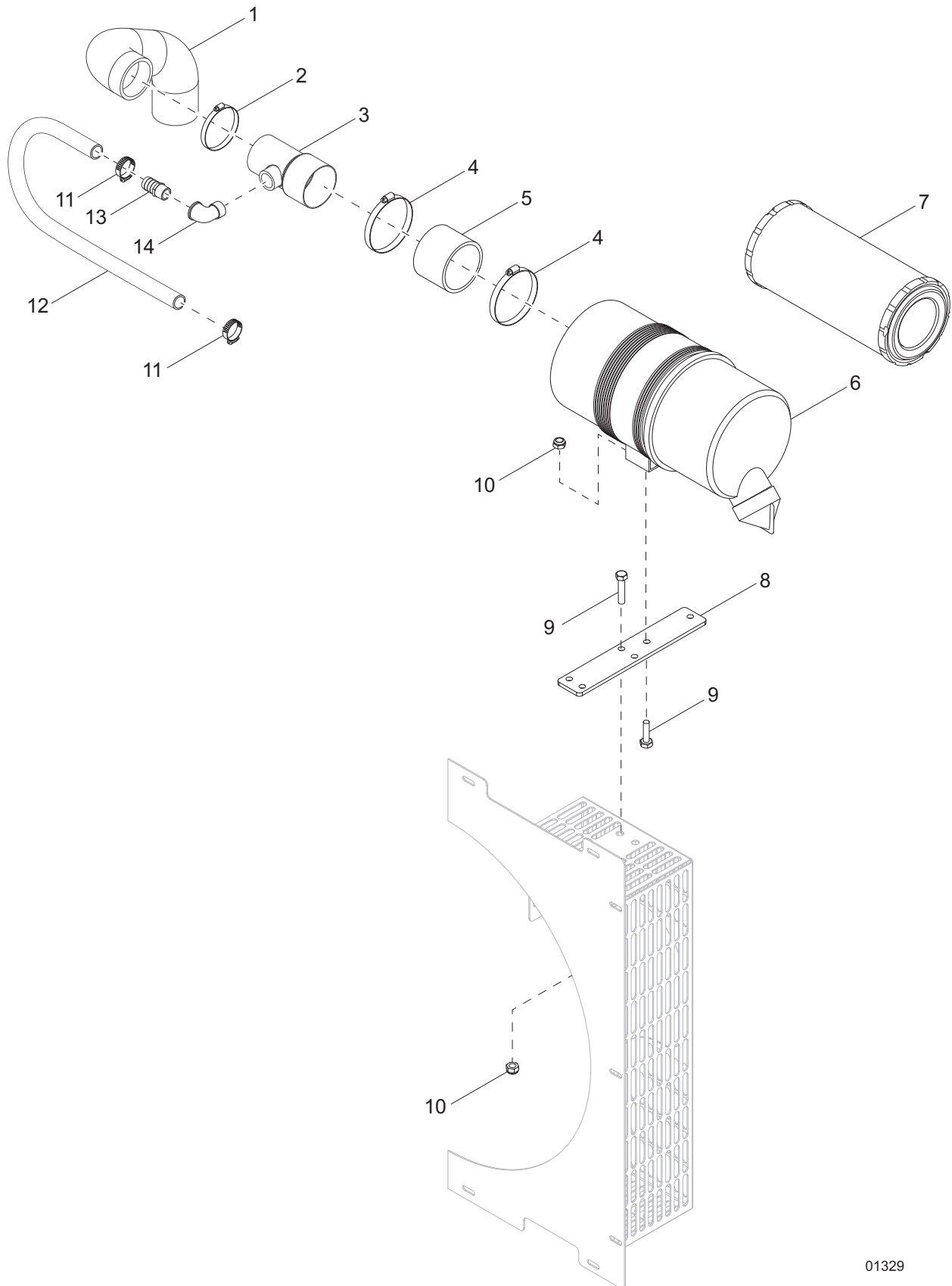


01328

CONTROL BOX ASSEMBLY

Item	Part No.	Qty	Description	Notes
1	60061	12	Nut, 10-32 nylock	
2	31514	1	Assembly, E-stop box	
--	65416	1	Nut, Duetsch HDP series	Included with item 2
--	65417	1	Washer, lock - Duetsch HDP series	Included with item 2
--	31597	1	Box, modified - E-stop	Included with item 2
--	61045	5	Nut, 10-32 sflg	Included with item 2
--	66455	2	Relay, 12V/70A NC/80A NO w/diode	Included with item 2
--	65049	1	Relay, 12V/30-40A NO w/diode	Included with item 2
--	60398	1	Screw, 10-32 x .500 pan phil, SS	Included with item 2
--	60243	2	Washer, .250 flat .735/.060	Included with item 2
3	65584	1	Block, E-stop contactor NO/NO	
4	65470	1	Switch, E-stop operator	
5	60396	4	Screw, 10-32 x 1.250 pan phil, G2	
6	68532	1	Assembly, control box w/controller (Lofa 750)	
--	31504	1	Controller, programmed MTP4D Deutz	
--	60062	8	Screw, 10-32 x .750 pan phil, G2	Included with item 6
--	60303	4	Nut, .312-18 nylock, G2	Included with item 6
--	62001	4	Screw, .312-18 x 1.250 std hex, G5	Included with item 6
7	60281	4	Screw, .250-20 x .750 std hex, G5	
8	60243	4	Washer, .250 flat, .735/.060	
9	24540	1	Holder, manual	
10	60062	4	Screw, 10-32 x .750 pan phil, G2	
11	60144	4	Nut, .250-20 nylock, G5	
--	68304	1	Harness, main	
--	62187	4	Screw, 4-40 x .500 pan phil, SS	Use with item 68304
--	60758	4	Nut, 4-40 nylock, G2	Use with item 68304
--	68381	1	Wire group, E-stop box	
OPTIONAL FEATURES				
<i>Float Switches:</i>				
--	49607	1	Adapter, harness - LOFA float switch	
--	41581	1	Assembly, float switch	

AIR FILTER ASSEMBLY

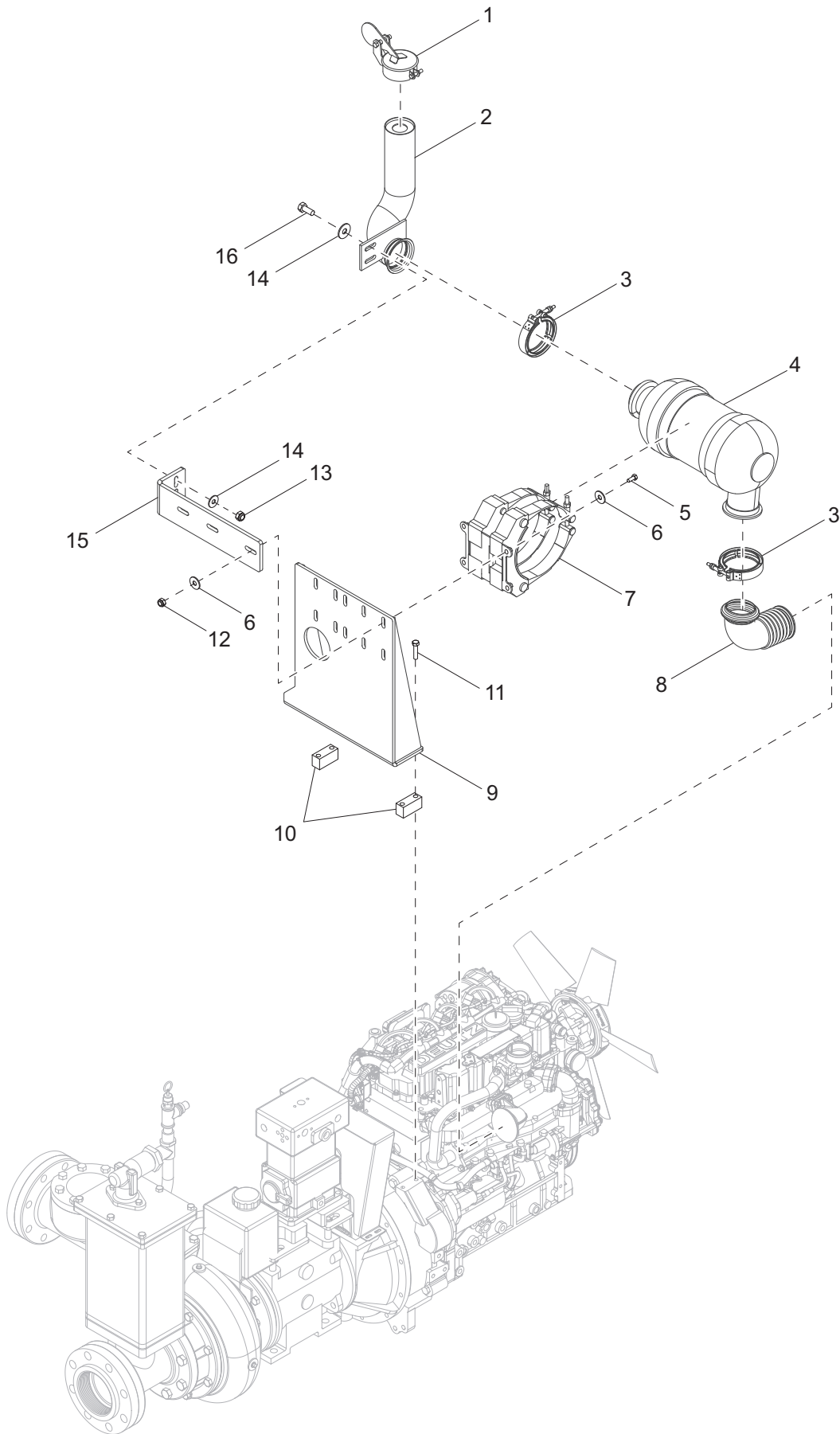


01329

AIR FILTER ASSEMBLY

Item	Part No.	Qty	Description	Notes
1	31477	1	Hose, air filter	
2	19336	1	Clamp, hose - SAE 044 (2.31-3.25)	
3	31476BH	1	Weldment, air inlet tube	
4	18663	2	Clamp, hose - SAE 060 (3.31-4.25)	
5	31473	1	Hose, air filter	
6	22967	1	Filter, air	
7	22874	1	Element, air filter	
8	31462B	1	Bracket, air filter	
9	60028	6	Screw, .312-18 x 1.0 std hex, G5	
10	60303	6	Nut, .312-18 nylock, G2	
11	19338	2	Clamp, hose - SAE 016 (.68-1.50)	
12	51019	1.5 ft	Hose, heater - .875 J20R3	
13	25496	1	Fitting, strt - .750MNPT x 1.0 barb, brass	
14	25110	1	Fitting, 90° street - .750MNPT x .750FNPT	

EXHAUST SYSTEM ASSEMBLY

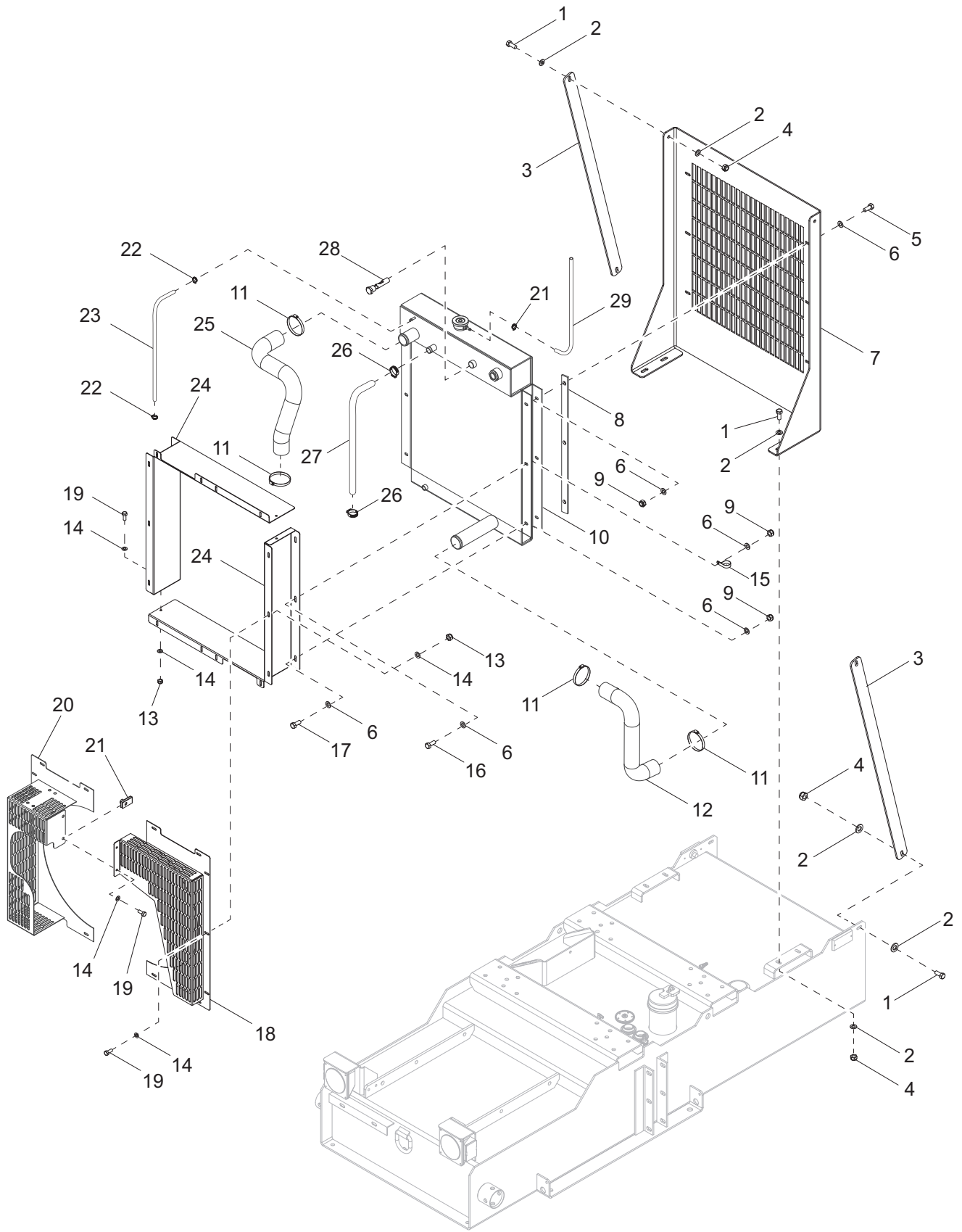


01330

EXHAUST SYSTEM ASSEMBLY

Item	Part No.	Qty	Description	Notes
1	21089	1	Cap, rain - 3.0	
2	31624	1	Weldment, DOC outlet pipe	
3	63248	2	Clamp, V-band - 3.88 ID/.40 SC width	
4	31470	1	DOC, Deutz D2.9	
5	60256	5	Screw, .312-18 x 1.50 std hex, fully threaded, G5	
6	60119	10	Washer, .312 flat .875/.070	
7	31471	1	Clamp, DOC	
8	31596	1	Weldment, DOC pipe	
9	31547B	1	Weldment, DOC support	
10	31539B	2	Spacer	
11	60152	4	Screw, M10-1.50 x 60 std hex, G8.8	
12	60303	5	Nut, .312-18 nylock, G2	
13	60358	2	Nut, .375-16 nylock, G5	
14	60386	4	Washer, .375 flat .993/.064	
15	31629B	1	Bracket, tail pipe support	
16	60352	2	Screw, .375-16 x 1.250 std hex, G5	

COOLING SYSTEM ASSEMBLY

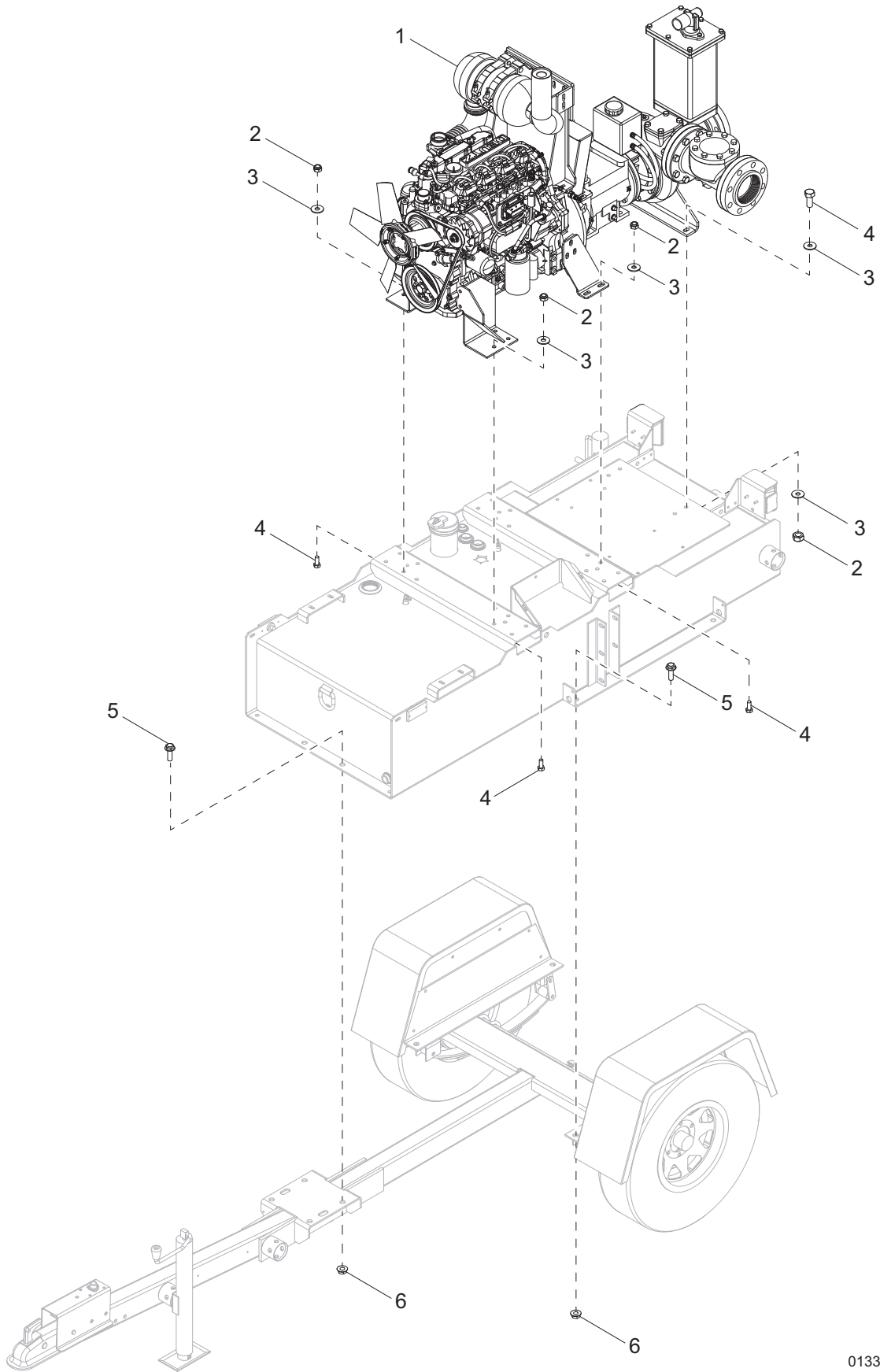


01331

COOLING SYSTEM ASSEMBLY

Item	Part No.	Qty	Description	Notes
1	60352	8	Screw, .375-16 x 1.250 std hex, G5	
2	60386	16	Washer, .375 flat .993/.064	
3	31583B	2	Strut, radiator support	
4	60358	8	Nut, .375-16 nylock, G5	
5	62001	6	Screw, .312-18 x 1.250 std hex, G5	
6	60119	24	Washer, .312 flat .875/.070	
7	31548B	1	Bracket, radiator support	
8	31650B	2	Spacer, radiator	
9	60303	12	Nut, .312-18 nylock, G2	
10	38321	1	Radiator, w/expansion tank	
11	60316	4	Clamp, hose - SAE 032 (1.56-2.50)	
12	31440	1	Hose, radiator - lower	
13	60144	16	Nut, .250-20 nylock, G5	
14	60243	34	Washer, .250 flat .735/.060	
15	15627	1	Clamp, tubing - .625 heavy duty	
16	60028	1	Screw, .312-18 x 1.00 std hex, G5	
17	61061	5	Screw, .312-18 x .875 std hex, G5	
18	31582B	1	Weldment, fan guard - right	
19	60281	18	Screw, .250-20 x .750 std hex, G5	
20	31581B	1	Weldment, fan guard - left	
21	61143	2	Nut, .250-20 U-clip - short type	
22	14216	3	Clamp, hose - SAE 004 (.21-.62) mini	
23	50017	2.1 ft	Hose, fuel - .250 ID, 50 psi, SAE 30R7	
24	31561B	2	Shroud, fan	
25	31439	1	Hose, radiator - upper	
26	19338	2	Clamp, hose - SAE 016 (.68-1.50)	
27	51019	2 ft	Hose, heater .875 J20R3	
28	68206	1	Sensor, low coolant, wet sinking	
29	50018	3 ft	Hose, fuel - .312 ID, 50 psi, SAE 30R7	

ENGINE AND PUMP TO SKID ASSEMBLY

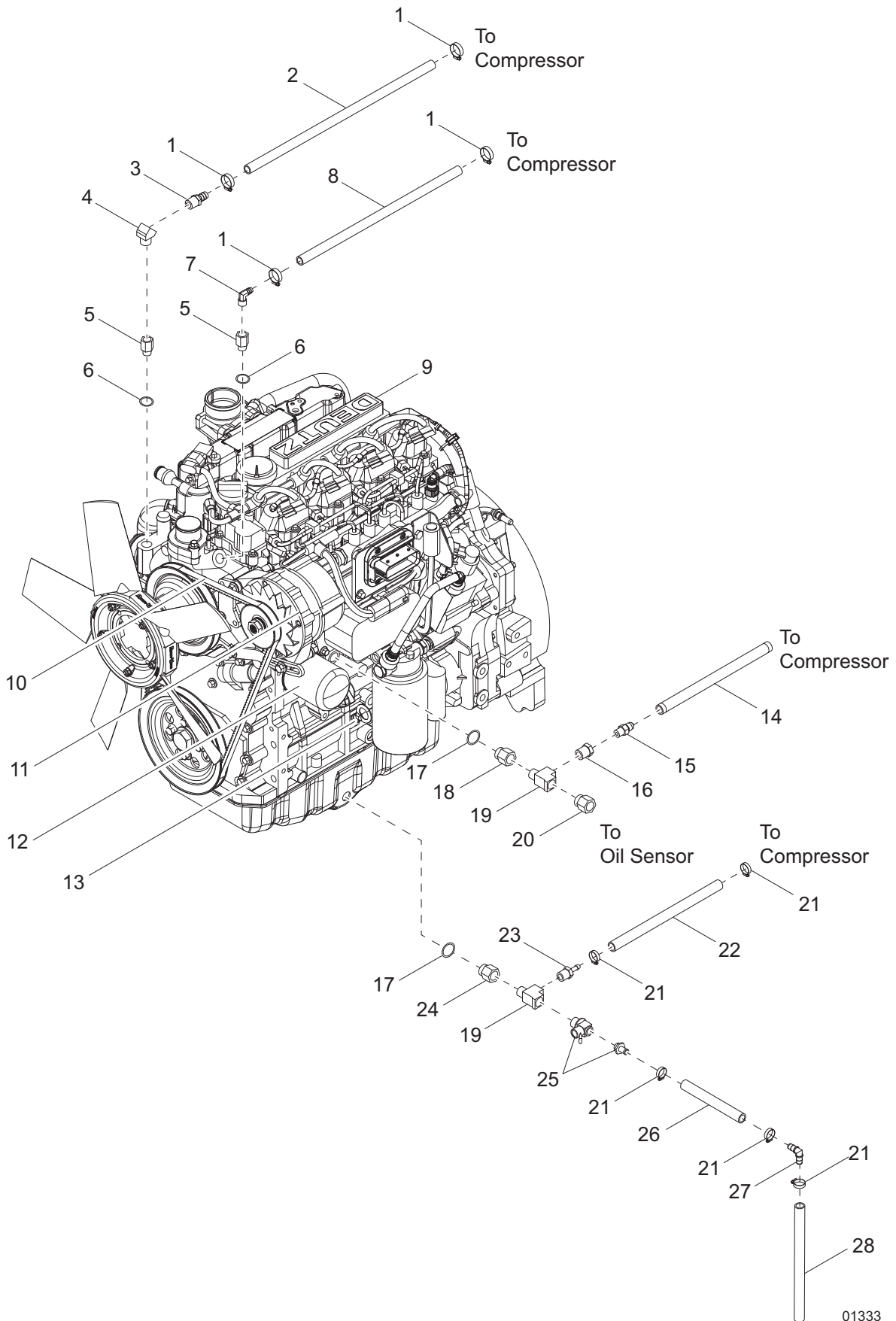


01332

ENGINE AND PUMP TO SKID ASSEMBLY

Item	Part No.	Qty	Description	Notes
1	31592	1	Assembly, engine/pump - Deutz D2.9 / Cornell 4.0	
2	62221	12	Nut, .500-13 nylock, G5	
3	60309	14	Washer, .500 flat 1.060/.090	
4	60388	12	Screw, .500-13 x 1.50 std hex, G5	
5	61078	6	Screw, .625-11 x 2.0 flg hex, G8	
6	60240	6	Nut, .625-11 nylock, G5	

ENGINE ASSEMBLY - LEFT SIDE



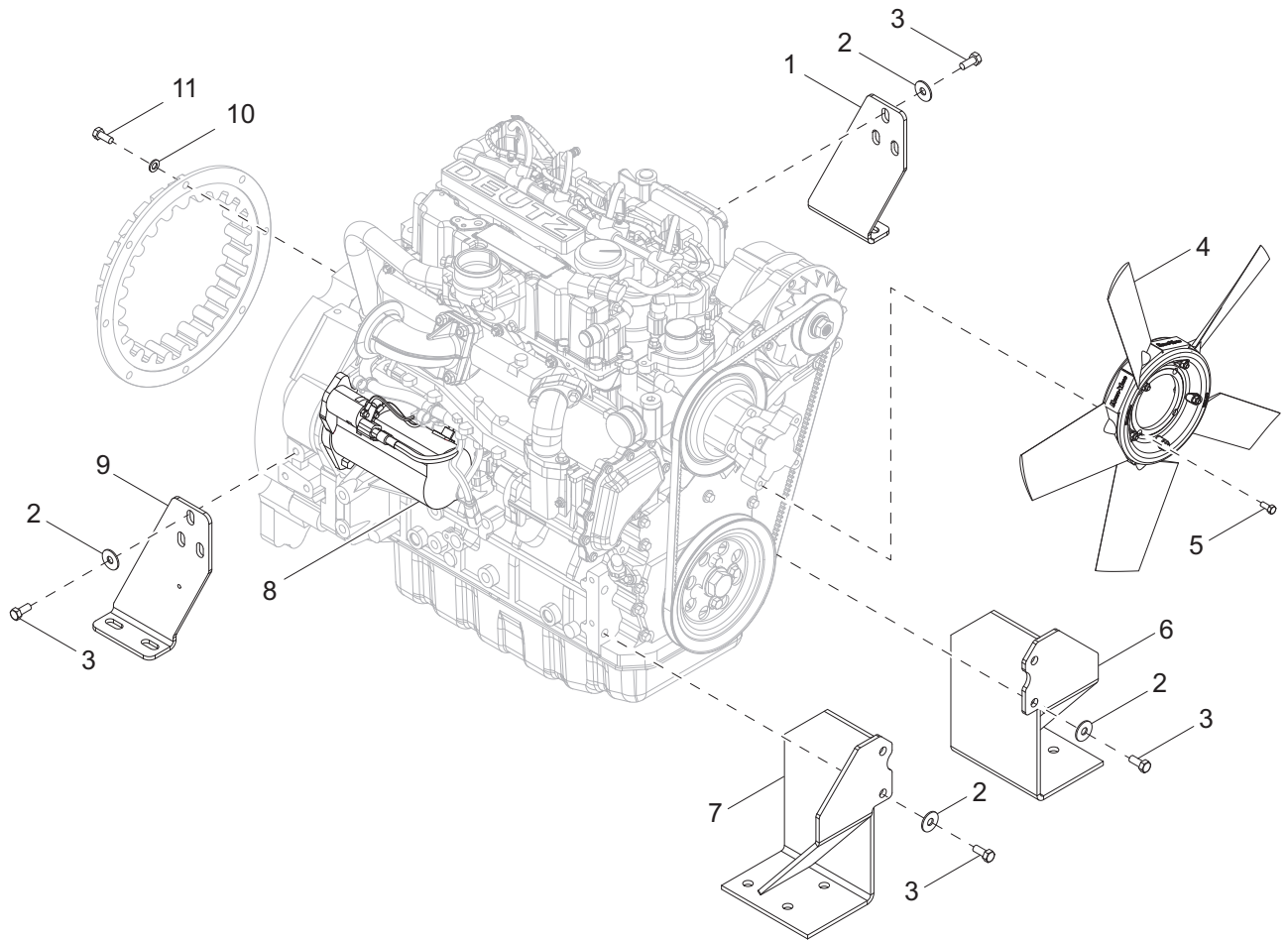
01333

ENGINE ASSEMBLY - LEFT SIDE

Item	Part No.	Qty	Description	Notes
1	60365	4	Clamp, hose - SAE 010 (.56-1.06)	
2	50201	2.66 ft	Hose, .625 in., 200 psi, class A	
3	60502	1	Fitting, strt - .500MNPT x .625 barb, brass	
4	61040	1	Fitting, 45° - .500MNPT x .500FNPT brass	
5	19307	2	Fitting, strt - .500FNPT x M22 x 1.50	
6	19467	2	Seal, M22	
7	61014	1	Fitting, 90° - .500MNPT x .625 barb, brass	
8	50201	3 ft	Hose, .625 in., 200 psi, class A	
9	31380	1	Engine, Deutz D2.9 - T4F 40hp, dry prime	
10	52213	1	Belt, fan	
11	52214	1	Alternator	
12	52212	1	Filter, oil	
13	52215	1	Dipstick, oil	
14	41420	1	Hose, oil supply .250 ID x 50.0, 300 psi - .25FJIC	
15	61073	1	Fitting, strt - .125 MNPT x .250MJIC brass	
16	22603	1	Fitting, strt - .375MNPT x .125FNPT brass	
17	63223	2	Seal, M16	
18	33146	1	Fitting, strt - .375FNPT x M16-1.5 male	
19	22602	2	Fitting, T - .375MNPT x FNPT x FNPT brass	
20	31618	1	Fitting, strt - .375MNPT x M16-1.5 female	
21	14216	5	Clamp, hose - SAE 004 (.21-.62) mini	
22	50051	3.75 ft	Hose, fuel - .375 ID, 50 psi, SAE 30R7	
23	25082	1	Fitting, strt - .375MNPT x .375 barb	
24	61033	1	Fitting, strt - .375FNPT x M18 x 1.50 O-ring	
25	37619	1	Valve, drain .375-18NPT	
26	50051	.70 ft	Hose, fuel - .375 ID, 50 psi, SAE 30R7	
27	63367	1	Fitting, 90° - .375 barb x .375 barb	
28	50051	1.5 ft	Hose, fuel - .375 ID, 50 psi, SAE 30R7	

Note: Engine and pump parts used in all Generac Mobile Products, LLC equipment carry the Original Equipment Manufacturer (OEM) warranty unless otherwise stated. OEM warranty parts must be purchased through an OEM dealer. Please contact Generac Mobile Products, LLC with questions.

ENGINE ASSEMBLY - RIGHT SIDE



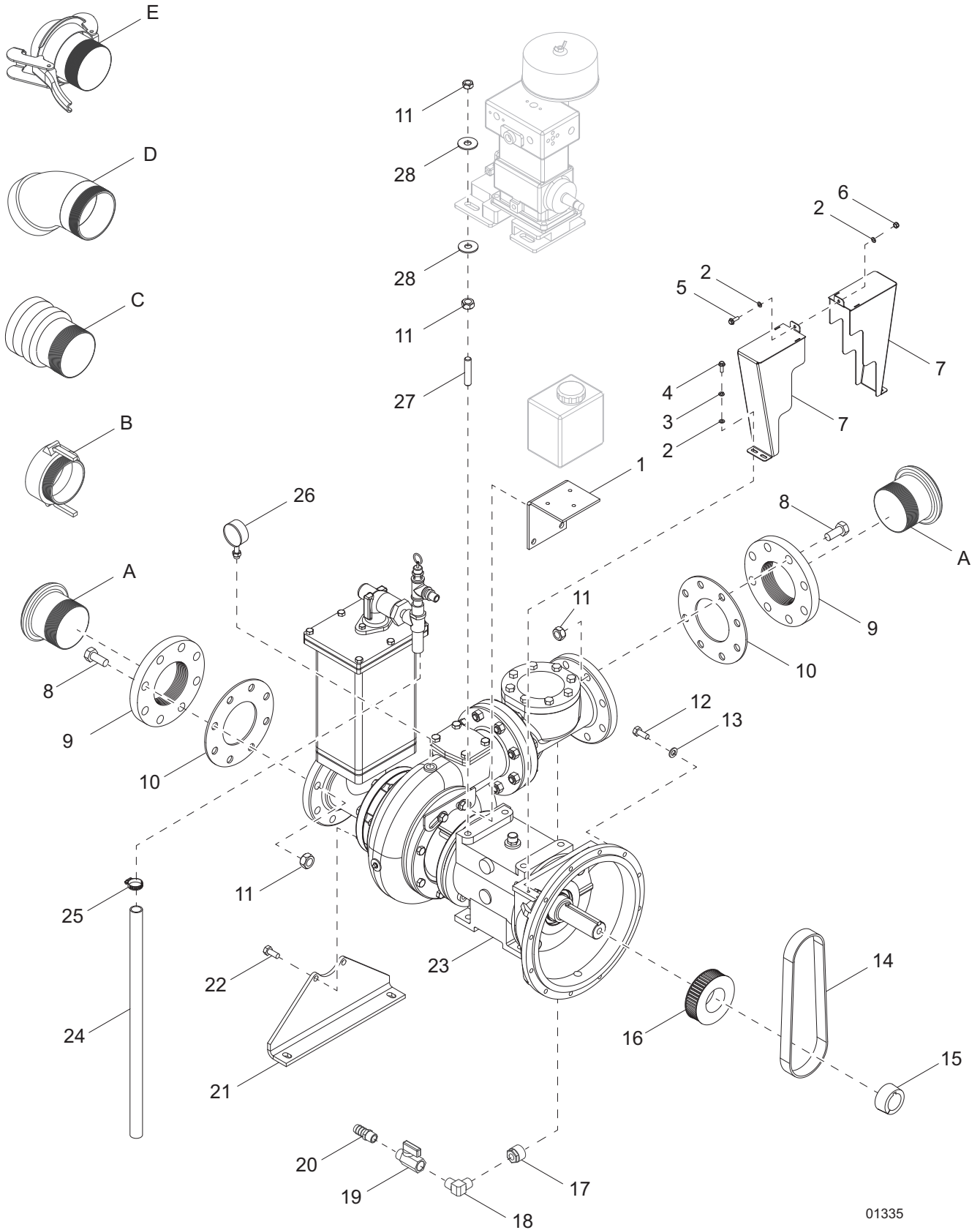
01334

ENGINE ASSEMBLY - RIGHT SIDE

Item	Part No.	Qty	Description	Notes
1	31533B	1	Bracket, engine mount - bell housing, left	
2	60012	10	Washer, M12 flat	
3	62277	10	Screw, M12-1.75 x 25 std hex, G10.9	
4	31410	1	Fan, pusher - 20.0 CW	
5	61204	4	Screw, M8-1.25 x 20 std hex, G10.9	
6	31527B	1	Weldment, engine mount, left	
7	31530B	1	Weldment, engine mount, right	
8	52219	1	Starter	
9	31534B	1	Bracket, engine mount - bell housing, right	
10	60027	8	Washer, M10 flat	
11	63338	8	Screw, M10-1.50 x 20 hex, G10.9	

Note: Engine and pump parts used in all Generac Mobile Products, LLC equipment carry the Original Equipment Manufacturer (OEM) warranty unless otherwise stated. OEM warranty parts must be purchased through an OEM dealer. Please contact Generac Mobile Products, LLC with questions.

EXTERNAL PUMP ASSEMBLY



01335

EXTERNAL PUMP ASSEMBLY

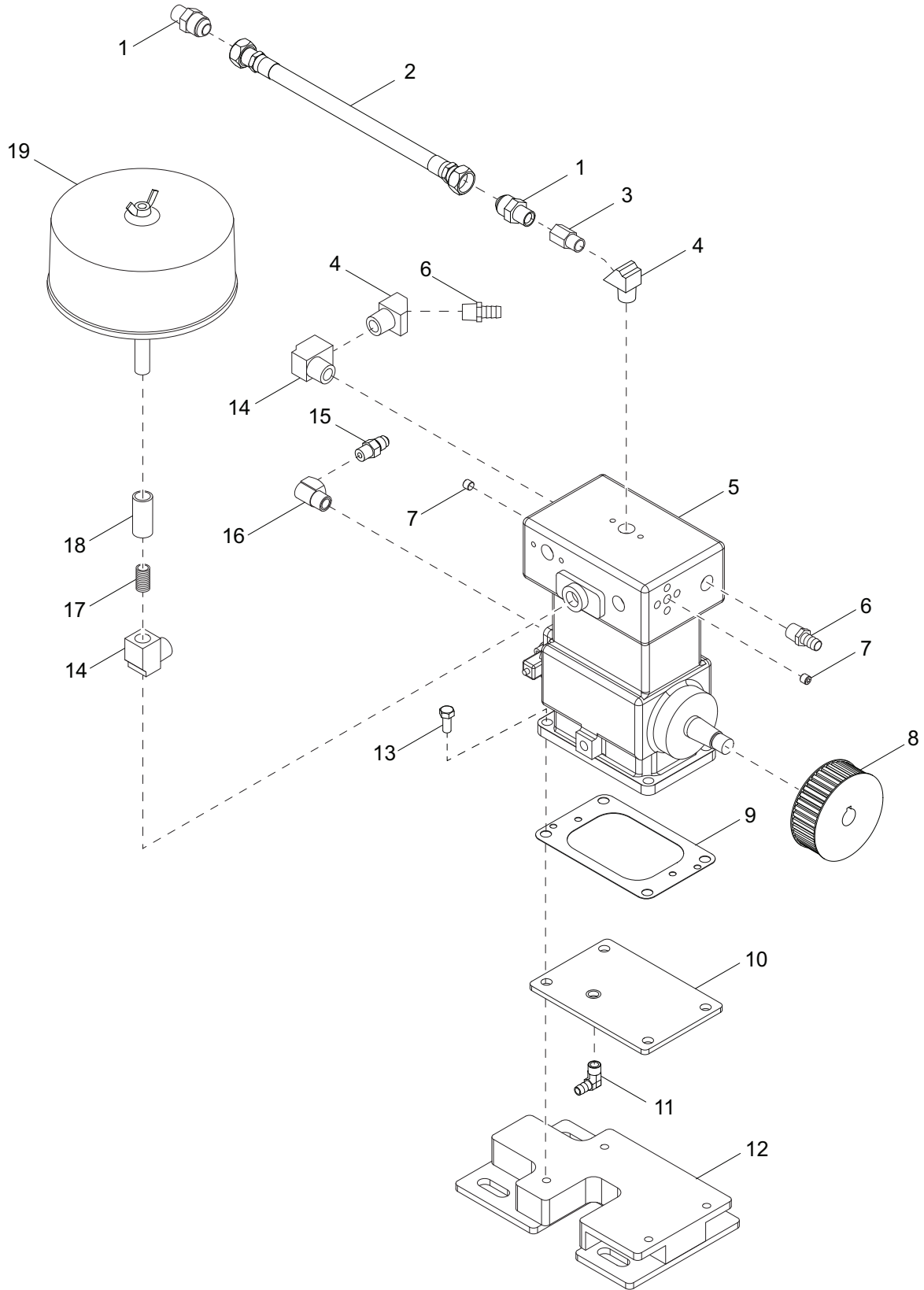
Item	Part No.	Qty	Description	Notes
1	31619B	1	Bracket, oil reservoir	
2	60243	6	Washer, .250 flat .735/.060	
3	60286	4	Washer, .250 split lock	
4	60175	4	Screw, .250-20 x .500 sflg hex, G5	
5	60523	1	Screw, .250-20 x .875 sflg hex	
6	60144	1	Nut, .250-20 nylock, G5	
7	31608B	2	Guard, belt	
8	60170	16	Screw, .625-11 x 2.75 std hex, G5	
9	41305B	2	Flange, 4.00NPT female, ANSI 150 lb	
10	41155	2	Gasket, pump flange - 4.00	
11	61071	24	Nut, .625-11 jam, G5	
12	60055	12	Screw, M10 - 1.50 x 35 std hex, G10.9	
13	60027	12	Washer, M10 flat	
14	33235	1	Belt, compressor	
15	31489	1	Bushing, taper lock - 2012 x 1.75 bore	
16	30498	1	Pulley, driver - 48 tooth	
17	63117	1	Fitting, strt - 1.0MNPT x .375FNPT	
18	23069	1	Fitting, 90° - .375MNPT brass	
19	62032	1	Valve, ball .375FNPT, mini	
20	25931	1	Fitting, strt - .375NPT x .625 barb	
21	31594B	1	Bracket, pump support	
22	63186	2	Screw, .500-13 x 1.250 std hex, G5	
23	31383B	1	Pump, trash - 4.00 dry prime, Cornell 8.25 dia	
24	50332	4.33 ft	Hose, fuel - .750 ID, 35 psi, SAE 30R7	
25	60365	1	Clamp, hose - SAE 010 (.56-1.06)	
26	49420	1	Gauge, vacuum 0-30 HG, 2.50 dial, .25NPT	
27	31452	4	Stud, .625-11 x 3.00 fully threaded, G5	
28	60521	8	Washer, .625 flat 1.743/.108	

OPTIONAL FEATURES

Inlet and Outlet Fittings:

A	41326	1	Socket, 4.0 x 4.0NTP male, galv
B	41328	1	Coupler, cam and groove - 4.0 female x 4.0NPT male
C	41586	1	Coupler, cam and groove - 4.0 male x 4.0NPT male
D	41584B	1	Weldment, pump fitting - 4.0NPT, 45° male/female
E	41324	1	Ball and lock ring, 4.0 x 4.0NTP male galv.

PUMP AIR COMPRESSOR ASSEMBLY

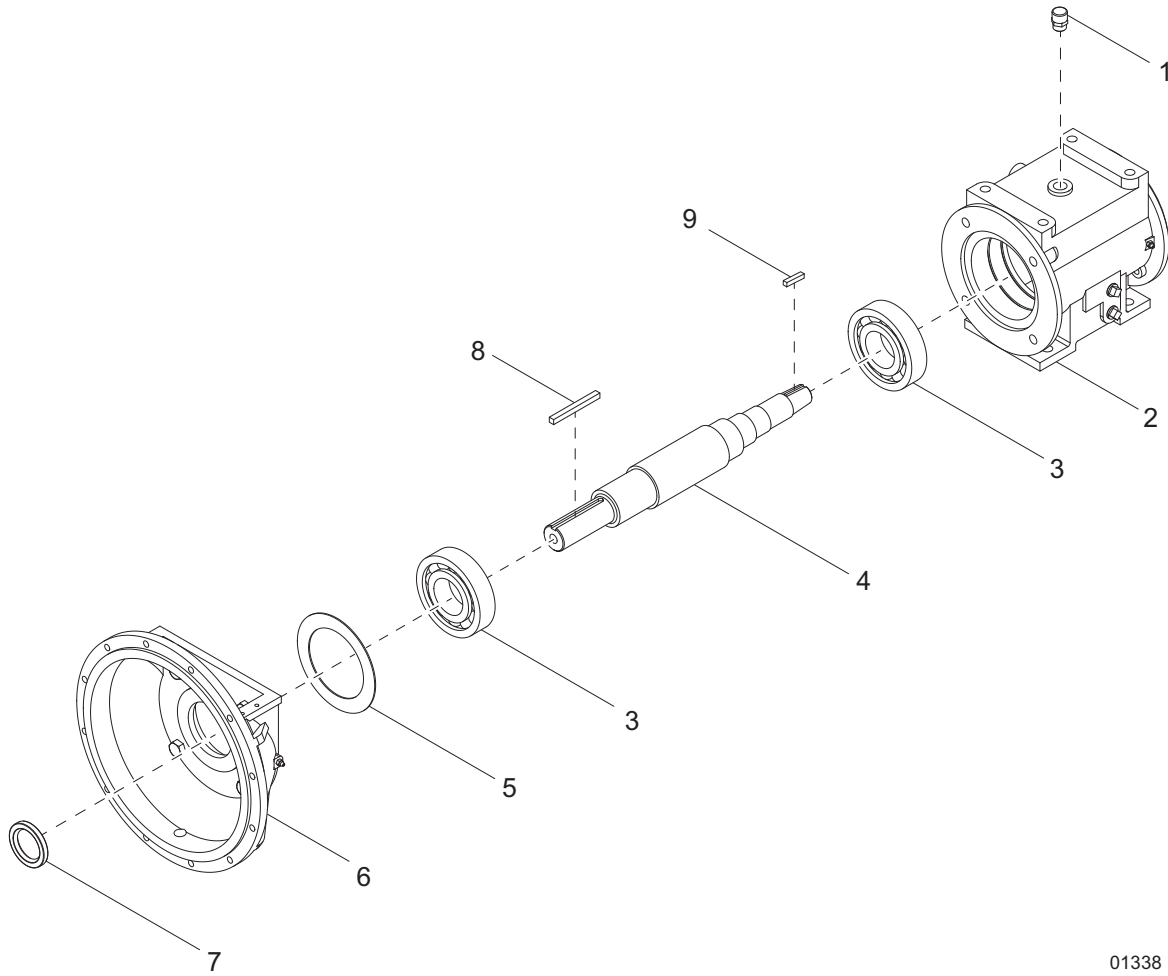


01519

PUMP AIR COMPRESSOR ASSEMBLY

Item	Part No.	Qty	Description	Notes
1	63181	2	Fitting, strt - .500MNPT x .750, 37° JIC	
2	31658	1	Assembly, hose .750 braided x 15.50 in	
3	31657	1	Valve, check	
4	61040	2	Fitting, 45° - .500MNPT x .500FNPT brass	
5	49267	1	Compressor, air - Bendix	
6	60502	2	Fitting, strt - .500MNPT x .625 barb, brass	
7	63115	2	Fitting, plug - .125NPT x flush mount	
8	30497	1	Pulley, driven - 40 tooth	
9	49421	1	Gasket, compressor base	
10	32703B	1	Bracket, compressor base	
11	20645	1	Fitting, 90° - .250NPT x .375 barb, brass	
12	31445B	1	Weldment, compressor mount	
13	63283	4	Screw, .438-14 x 1.50 std hex, G5	
14	60998	2	Fitting, 90° - .500MNPT x .500FNPT brass	
15	61073	1	Fitting, strt - .125MNPT x .250MJIC brass	
16	60734	1	Fitting, 90° - .125MNPT x .125FNPT brass	
17	21437	1	Fitting, strt - .500NPT coupler x 1.50	
18	60438	1	Fitting, pipe nipple - .500NPT x close	
19	31630	1	Air cleaner - .500NPT	
--	31631	1	Element, air cleaner	

BEARING FRAME ASSEMBLY

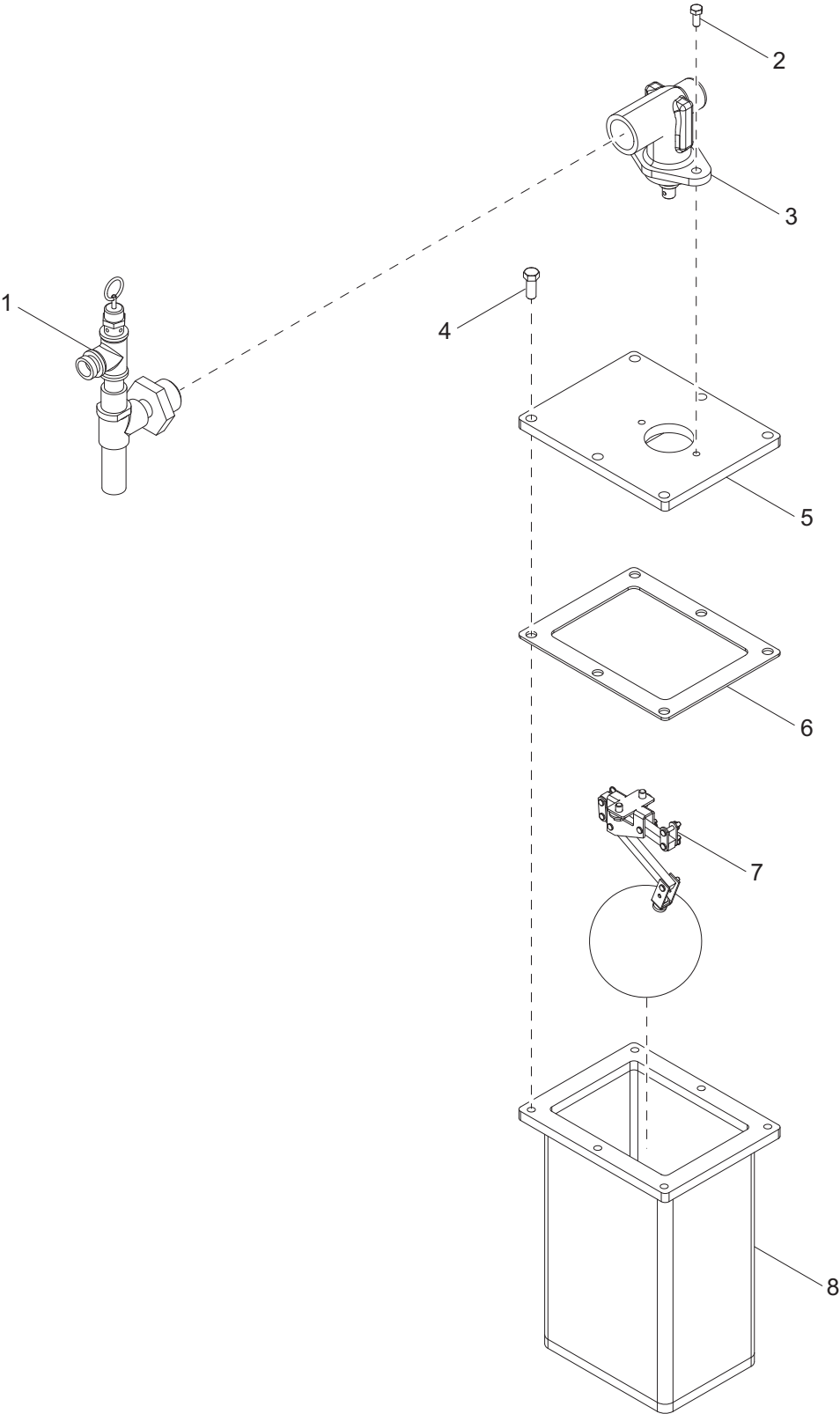


01338

BEARING FRAME ASSEMBLY

Item	Part No.	Qty	Description	Notes
1	52034	1	Breather, .500NPT	
2	52032	1	Frame, pump	
3	52037	2	Bearing, 16B	
4	52036	1	Shaft, F85 frame	
5	52041	1	Shim, .010	
6	52043	1	Bracket, engine - SAE #4	
7	52038	1	Seal, lip	
8	52104	1	Key, drive end .380 x 4.0	
9	52025	1	Key, impeller .310 x 1.38	

PRIMING CHAMBER ASSEMBLY

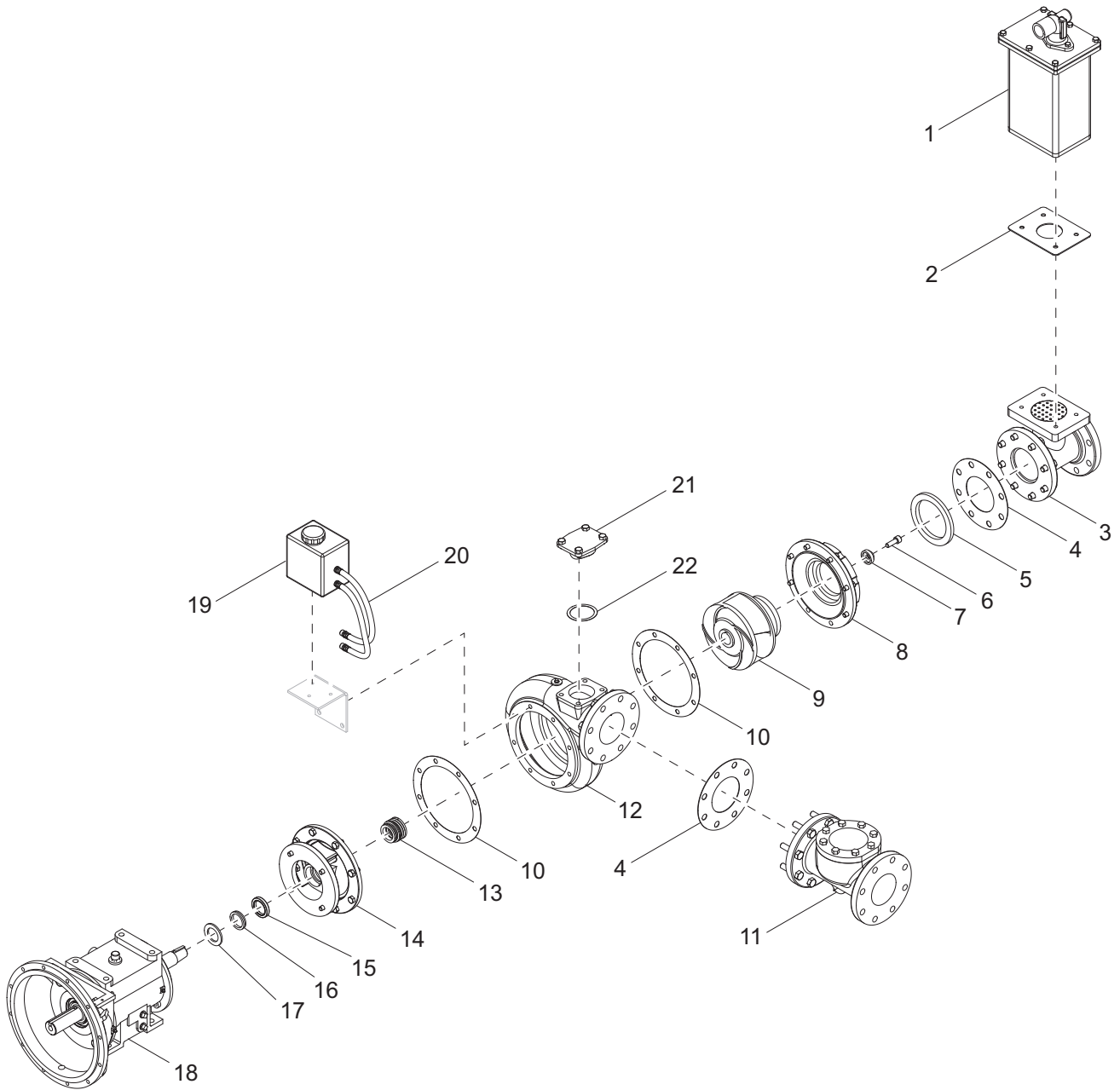


01339

PRIMING CHAMBER ASSEMBLY

Item	Part No.	Qty	Description	Notes
1	52195	1	Fitting, priming	
2	52167	2	Capscrew, hex .31NC x .50	
3	31656	1	Valve, priming chamber	
4	52178	6	Screw, .440 x 1.25 std hex, SS	
5	52163	1	Cover, priming chamber	
6	52177	1	Gasket, priming chamber - upper	
7	52165	1	Assembly, float linkage	
8	52180	1	Priming chamber	
--	52162	1	Assembly, priming chamber	

INTERNAL PUMP ASSEMBLY

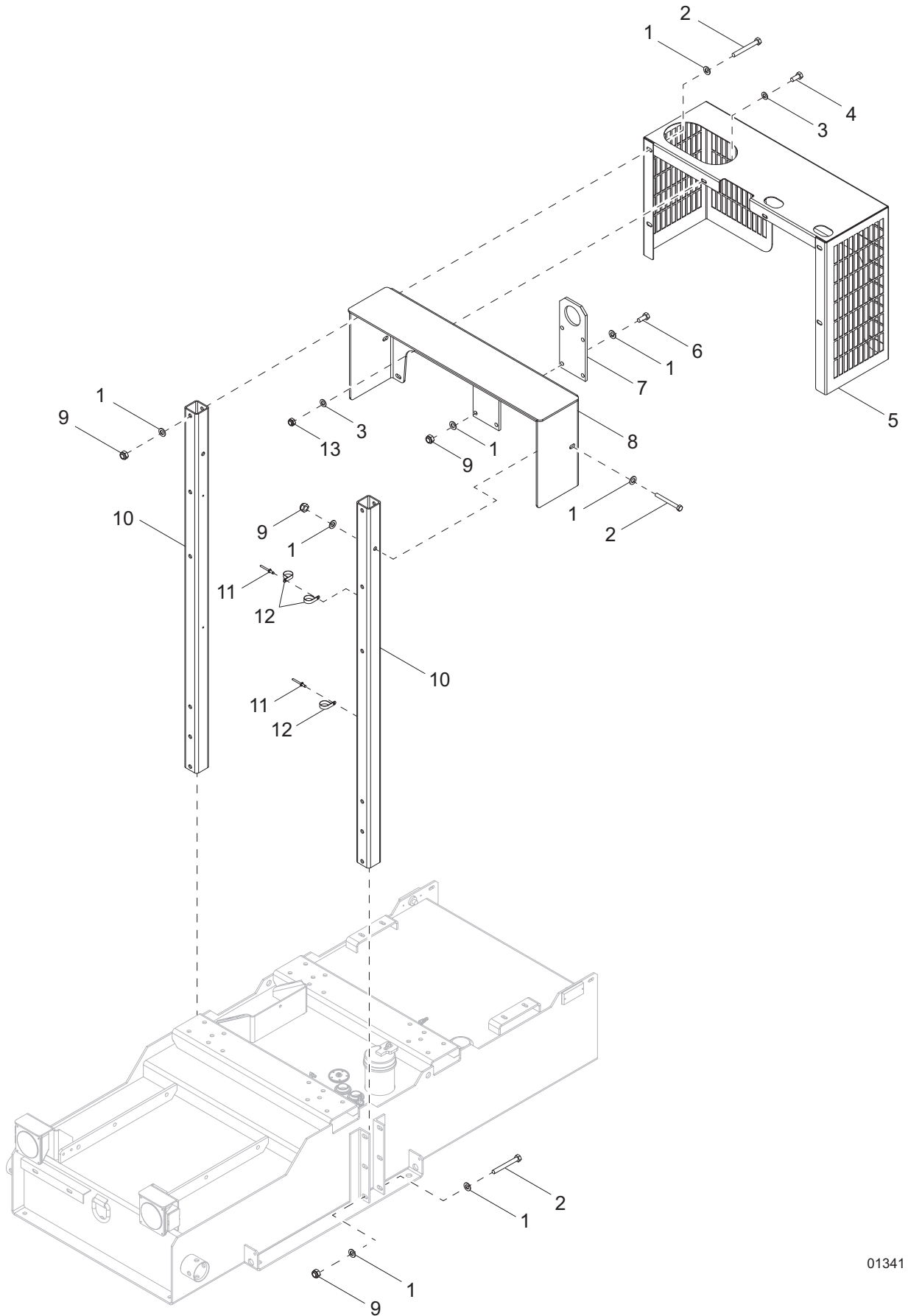


01340

INTERNAL PUMP ASSEMBLY

Item	Part No.	Qty	Description	Notes
1	Page 24	1	Assembly, priming chamber	
2	52077	1	Gasket, priming chamber - lower	
3	52091	1	Spool, RP 4 x 4 fab, mini	
4	52092	2	Gasket, 4 in. full face	
5	52011	1	Ring, wear - 4NNTL (open)	
6	52024	1	Lock screw, .50NC x 1.50 socket head	
7	52023	1	Washer, impeller, 4NNTL	
8	52012	1	Cover, suction 4NNTL-1 w/O-ring	
9	52022	1	Impeller, 4NNTL-3R w/back vanes	
10	52021	2	Gasket, volute	
11	52094	1	Valve, no.504 - 4.0 x 4.0	
12	52016	1	Volute, 4NNTL-2 w/clean out	
13	52028	1	Seal, 1622S RP	
14	52026	1	Bracket, backplate, 4NNTL-38	
15	52030	1	Seal, lip - 1.75 x 2.50 x .375	
16	52031	1	V-ring	
17	52039	1	Seal, lip	
18	Page 22	1	Assembly, bearing frame	
19	52049	1	Reservoir, run-dry w/cap	
20	52159	2	Hose, .38 ID	
21	52017	1	Cover, clean out	
22	52018	1	Deflector	

LIFT SUPPORT ASSEMBLY

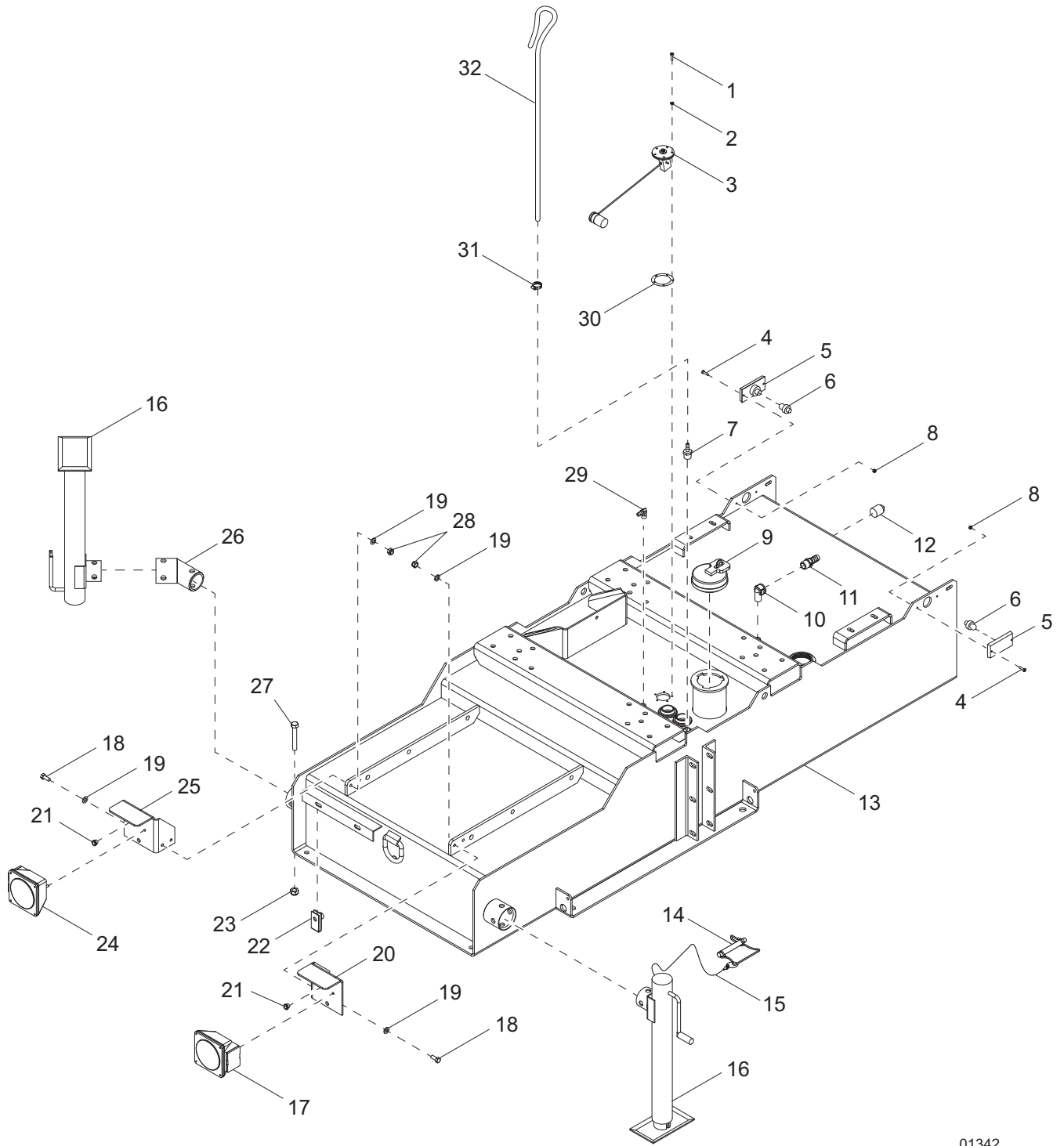


01341

LIFT SUPPORT ASSEMBLY

Item	Part No.	Qty	Description	Notes
1	60309	32	Washer, .500 flat 1.060/.090	
2	50215	12	Screw, .500-13 x 4.0 std hex, G5	
3	60386	4	Washer, .375 flat .993/.064	
4	60205	2	Screw, .375-16 x 1.0 std hex, G5	
5	31605B	1	Shield, heat	
6	60484	4	Screw, .500-13 x 2.0 std hex, G5	
7	41080B	1	Bracket, lift eye	
8	31584B	1	Bracket, lift support	
9	62221	16	Nut, .500-13 nylock, G5	
10	31585B	2	Tube, lift structure	
11	60195	2	Rivet, .188 dia. x .375 to .500 grip	
12	15627	3	Clamp, tubing - .625 heavy duty	
13	60358	2	Nut, .375-16 nylock, G5	

FUEL TANK ASSEMBLY (1 OF 2)

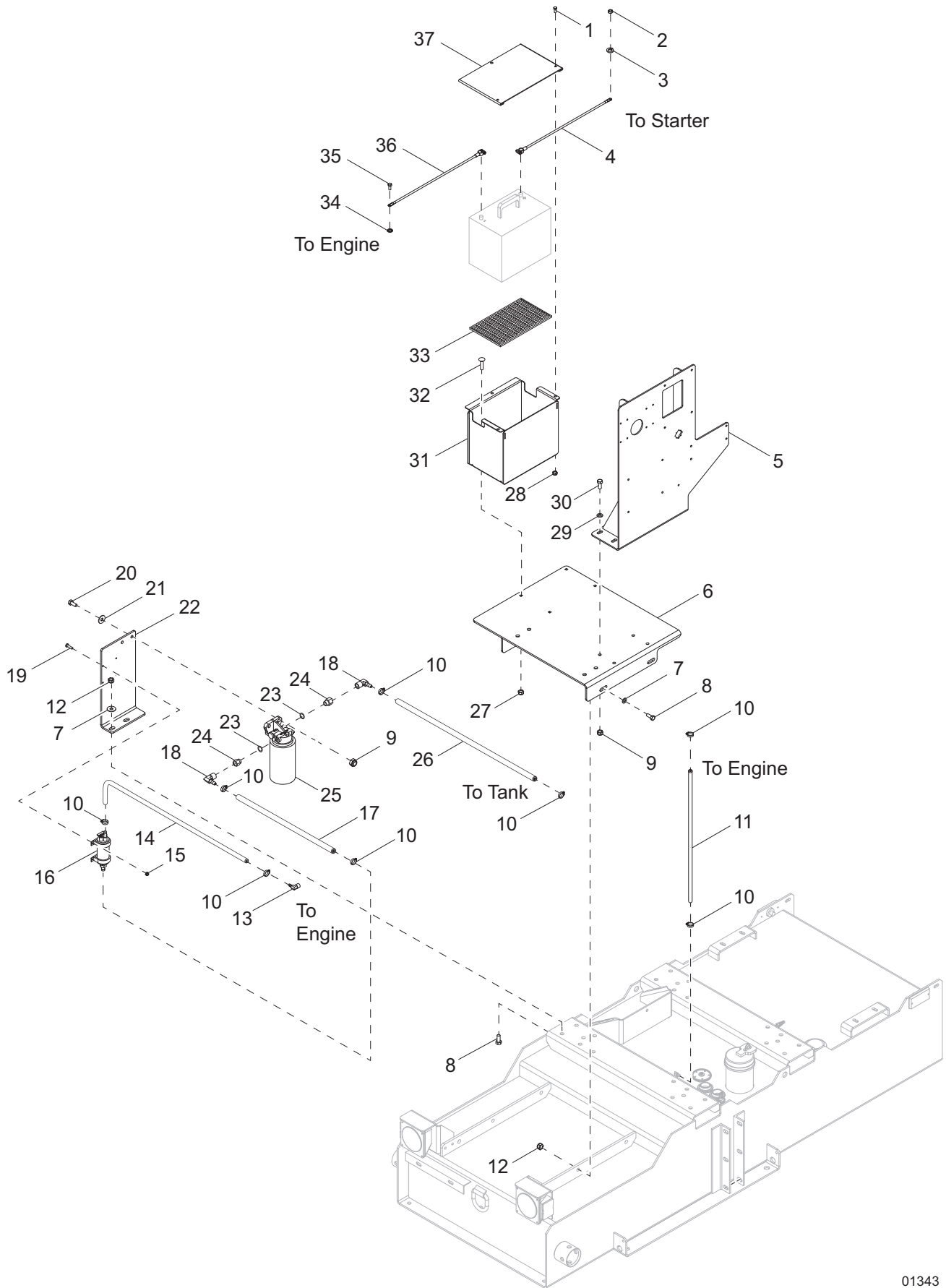


01342

FUEL TANK ASSEMBLY (1 OF 2)

Item	Part No.	Qty	Description	Notes
1	60156	5	Screw, M5-.80 x 16 pan phil, G4.8	
2	60252	5	Washer, #10 split lock	
3	20571	1	Sender, fuel - 10-15 in. tank	
4	60406	4	Screw, 8-32 x 1.0 pan phil, G2	
5	66373	2	Lens, light, clearance marker - amber	
6	65661	2	Bulb, light - clearance marker	
7	60999	1	Fitting, strt - .500MNPT x .312 barb, brass	
8	60270	4	Nut, 8-32 nylock, class 6	
9	23707	1	Cap, fuel fill - 3.50	
10	23146	1	Fitting, 90° - .250MNPT x .375FNPT brass	
11	21339	1	Fitting, strt - .375NPT x .500 barb	
12	60498	1	Fitting, square plug - .750NPT	
13	41278B	1	Weldment, fuel tank/chassis	
14	23256	1	Pin, jack - 2000 lb, tube-mounted	
15	12647	1	Cable, tether - jack pin and ground rod cover	
16	41133	2	Jack, side wind - 2000 lb, tube-mounted	
17	49626	1	Light, stop/turn/tail - waterproof - LED right	
18	62001	4	Screw, .312-18 x 1.250 std hex, G5	
19	60119	8	Washer, .312 flat .875/.070	
20	41101B	1	Bracket, tail light mounting - right	
21	19163	2	Fitting, bushing - .500 OD x .375 ID	
22	61147	2	Nut, .312-18 U-clip, long type, G5	
23	60240	1	Nut, .625-11 nylock, G5	
24	49627	1	Light, stop/turn/tail - waterproof w/LP - LED left	
25	41102B	1	Bracket, tail light mounting - left	
26	31617B	1	Weldment, jack support	
27	63337	1	Screw, .625-11 x 4.50 hex, G8	
28	60303	4	Nut, .312-18 nylock, G2	
29	20645	1	Fitting, 90° - .250NPT x .375 barb, brass	
30	22323	1	Gasket, sending unit	
31	14216	1	Clamp, hose - SAE 004 (.21x.62) mini	
32	50343	3.16 ft	Hose, fuel - .312 ID x .562 OD, 60 psi	
--	41123	1	Harness, trailer light	
--	60353	1	Screw, .375-16 x 1.0 flg hex, self-tapping, G2	Use with item 41123
--	60698	1	Washer, .375 flat .875/.040, SS	Use with item 41123
--	60053	1	Washer, .375 external star	Use with item 41123
--	67856	1	Harness, trailer extension assembly	
OPTIONAL FEATURES				
<i>Harness - Electric Brake:</i>				
--	65899	1	Harness, electric brake	

FUEL TANK ASSEMBLY (2 OF 2)

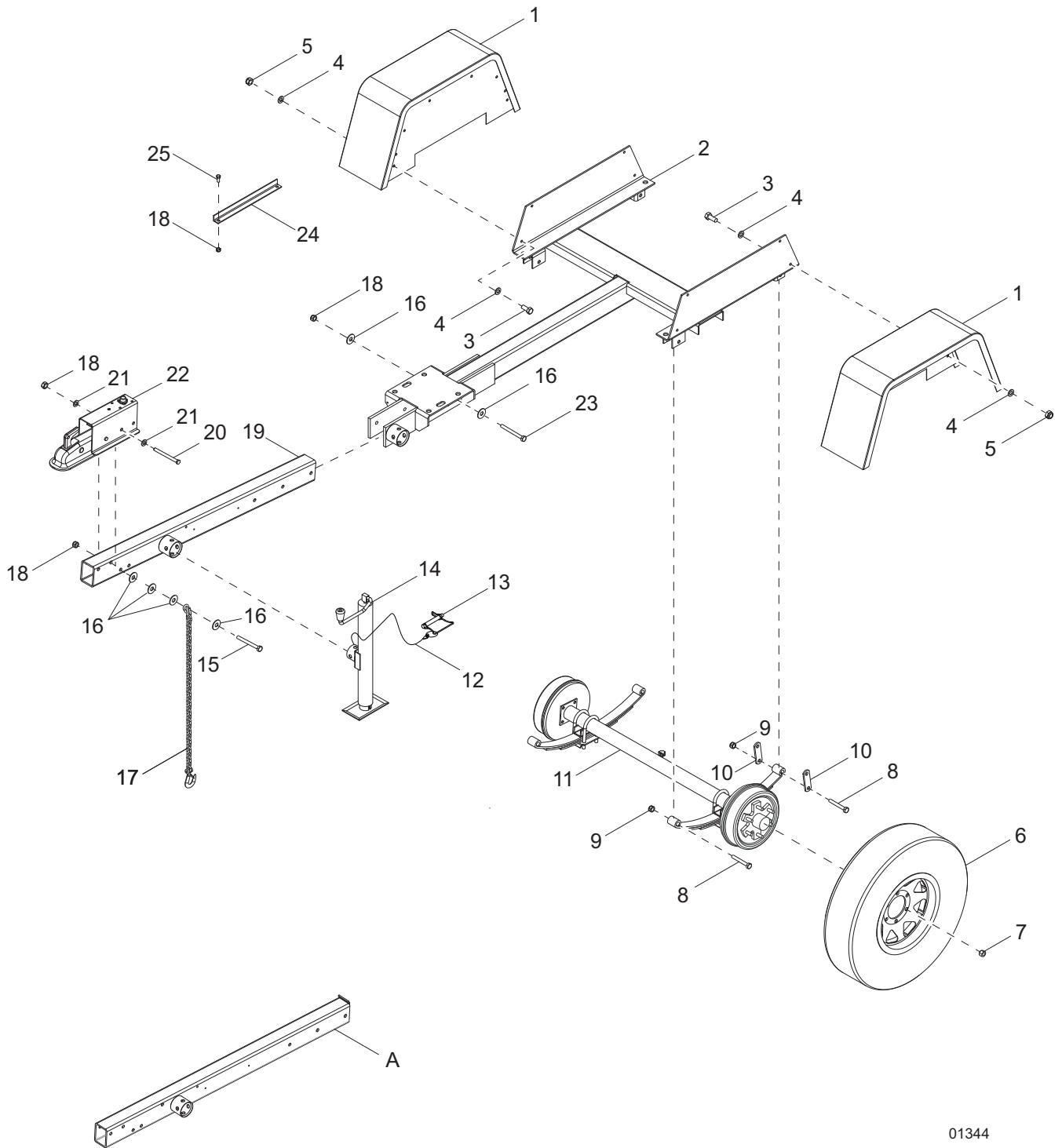


01343

FUEL TANK ASSEMBLY (2 OF 2)

Item	Part No.	Qty	Description	Notes
1	60393	3	Screw, .250-20 x 1.0 std hex, G5	
2	60032	1	Nut, M8-1.25 hex, G8.8	
3	60271	1	Washer, .312 split lock	
4	24777	1	Cable, battery - 54 in. 2GA red w/lead, 3/8 in. lug	
5	31538B	1	Weldment, control box support	
6	31576B	1	Weldment, pump support	
7	60309	6	Washer, .500 flat 1.060/.090	
8	60388	6	Screw, .500-13 x 1.5 std hex, G5	
9	60358	6	Nut, .375-16 nylock, G5	
10	19453	8	Clamp, hose - SAE 006 (.37-.87)	
11	51021	3.2 ft	Hose, fuel - .375 ID, 125 psi	
12	62221	6	Nut, .500-13 nylock, G5	
13	62145	1	Fitting, 90° - .375MNPT x .375 barb, brass	
14	51021	1.5 ft	Hose, fuel - .375 ID, 125 psi	
15	60061	4	Nut, 10-32 nylock	
16	31451	1	Pump, fuel - Deutz TD2.9	
17	51022	1.5 ft	Hose, fuel - .500 ID, 125 psi	
18	62108	2	Fitting, 90° - .375MNPT x .500 barb, brass	
19	60397	4	Screw, 10-32 x 1.0 pan phil, G2	
20	60139	2	Screw, .375-16 x 1.50 std hex, G5	
21	60698	2	Washer, .375 flat .875/.040, SS	
22	31614B	1	Bracket, filter	
23	63223	2	Seal, M16	
24	33146	2	Fitting, strt - .375FNPT x M16-1.5 male	
25	31513	1	Filter, fuel - pre-filter	
26	51022	3.1 ft	Hose, fuel - .500 ID, 125 psi	
27	60303	4	Nut, .312-18 nylock, G2	
28	60144	3	Nut, .250-20 nylock, G5	
29	60386	4	Washer, .375 flat .993/.064	
30	60352	4	Screw, .375-16 x 1.25 std hex, G5	
31	31560B	1	Box, battery	
32	61066	4	Screw, .312-18 x 1.0 carr sqr, SS	
33	41185	1	Pad, battery - 6.0 x 10.0 in	
34	60369	1	Washer, M12 external star	
35	60019	1	Screw, M12-1.75 x 20 sflg hex, G8.8	
36	31625	1	Cable, battery - 46 in. 2GA black post, 1/2 in. lug	
37	31580B	1	Cover, battery box	

TRAILER ASSEMBLY

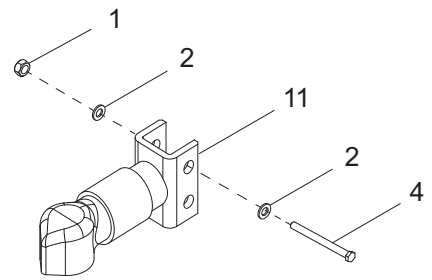
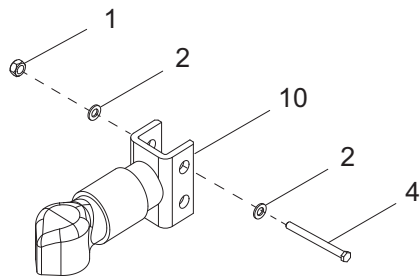
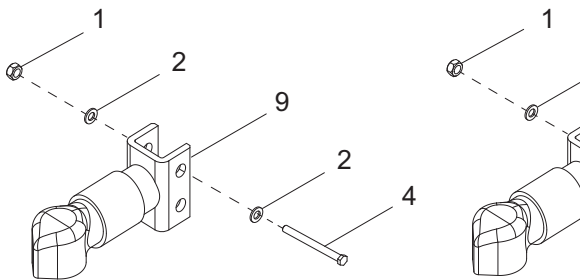
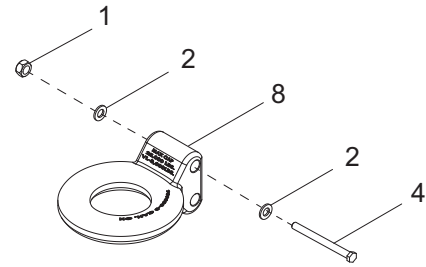
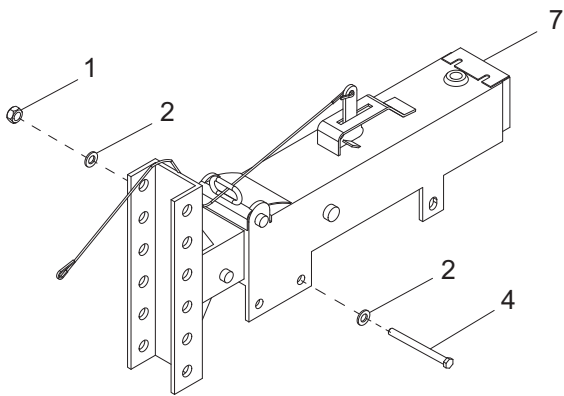
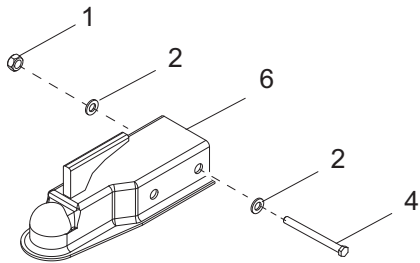
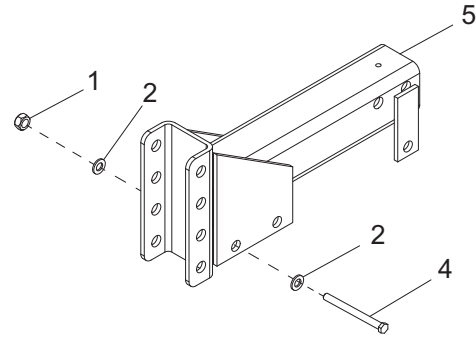
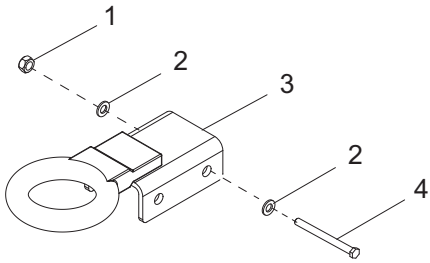


01344

TRAILER ASSEMBLY

Item	Part No.	Qty	Description	Notes
1	22743B	2	Fender, single wheel	
2	24811B	1	Weldment, trailer chassis - flip tongue	
3	61036	8	Screw, .375-16 x 1.25 std hex, SS	
4	60698	16	Washer, .375 flat .875/.040, SS	
5	60358	8	Nut, .375-16 nylock, G5	
6	18377	2	Wheel, ST225/75R15, 2540 lb	
7	60096	12	Nut, .500-20 lug, G5	
8	60503	6	Screw, shackle .562-18 x 3.0 std hex, G5	
9	60504	6	Nut, .562-18 lock hex, G5	
10	19637	4	Plate, shackle bracket - 3.125	
11	<i>Page 36</i>	1	Assembly, axle	
12	12647	1	Cable, tether - jack pin and ground rod cover	
13	23256	1	Pin, jack - 2000 lb, tube-mounted	
14	13051	1	Assembly, jack, 2000 lb top wind, tube-mounted	
15	60376	2	Screw, .500-13 x 4.50 std hex, G5	
16	60416	14	Washer, .500 flat 1.375/.090	
17	23367	2	Chain, safety - 7800 lb	
18	62221	8	Nut, .500-13 nylock, G5	
19	24812B	1	Weldment, tongue - flip non-adjustable actuator	
20	61099	2	Screw, .500-13 x 5.0 std hex, G8	
21	60309	4	Washer, flat 1.060/.090	
22	24304	1	Actuator, hydraulic surge brake - 2 in. ball, 6000 lb	
--	41762	1	O-ring - 24 mm	
23	61104	3	Screw, .500-13 x 5.50 std hex, G8	
24	24691B	1	Brace, tongue shipping	
25	61103	1	Screw, .500-13 x 1.75 sflg hex	
--	24701	1	Assembly, trailer basic	
OPTIONAL FEATURES				
A	30931B	1	Weldment, tongue w/support plate - electric brake	

TRAILER HITCH OPTIONS

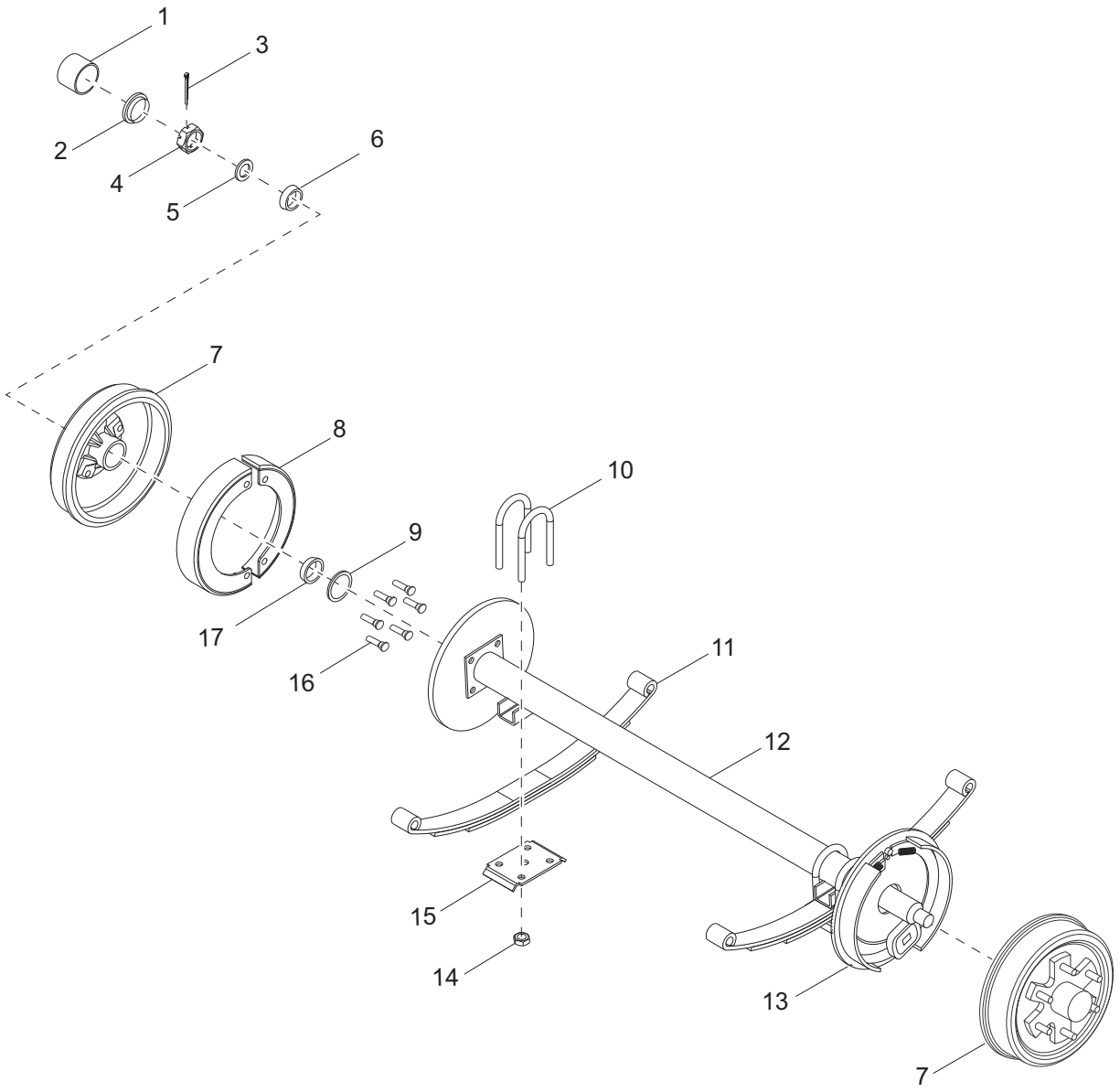


01347

TRAILER HITCH OPTIONS

Item	Part No.	Qty	Description	Notes
1	62221	18	Nut, .500-13 nylock, G5	
2	60309	30	Washer, .500 flat 1.060/.090	
3	11032B	1	Weldment, lunette ring - 3.0 ID	Non-adjustable
4	61099	18	Screw, .500-13 x 5.0 std hex, G8	
5	23162	1	Coupler, 2.0 ball/3.0 channel - 5000 lb	Non-adjustable
6	19379B	1	Weldment, hitch - 4 position, electric brake	Adjustable
7	40529	1	Actuator, hydraulic surge brake - 7500 lb	Adjustable
8	19335B	1	Coupler, lunette ring - 3.0 ID	Requires item 5 or 7
9	19518	1	Coupler, 2.0 ball	Requires item 5 or 7
10	19519	1	Coupler, 2.31 ball	Requires item 5 or 7
11	41795	1	Coupler, 2.31 ball - 12500 lb, Bulldog	Requires item 5 or 7
--	65593	1	Adapter, trailer - 4 pin and 2 pin to 6 pin	Electric Brake
--	65583	1	Adapter, trailer - round 6 pin to round 7 spade	Electric Brake Requires 65593
--	65463	1	Adapter, trailer - flat 4 pin to round 6 pin	Surge Brake
--	65464	1	Adapter, trailer - flat 4 pin to round 7 pin	Surge Brake
--	65465	1	Adapter, trailer - flat 4 pin to round 7 spade	Surge Brake

AXLE ASSEMBLY



01345

AXLE ASSEMBLY

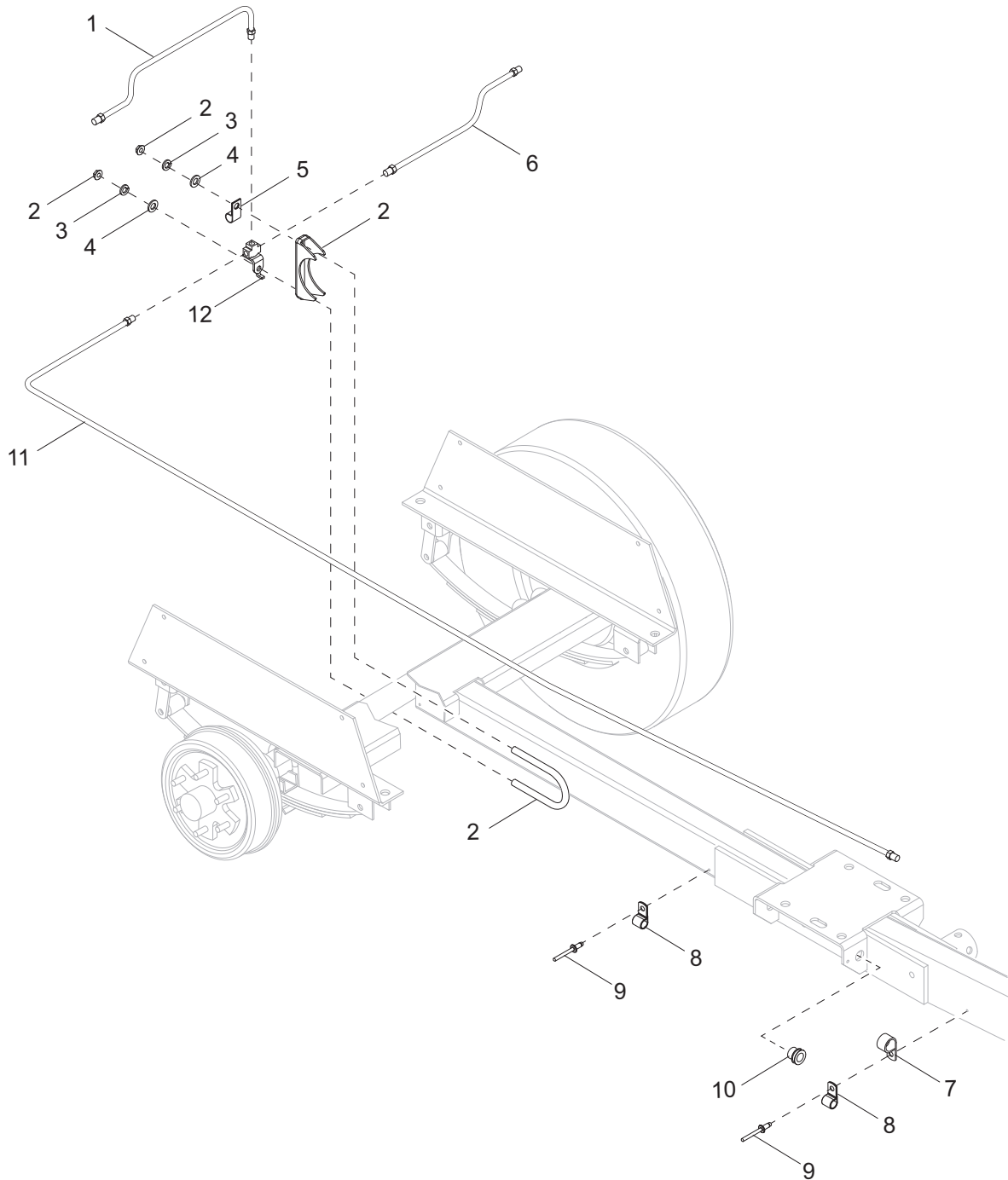
Item	Part No.	Qty	Description	Notes
1	23170	2	Cap, grease - 5000 lb	
2	11254	2	Plug, grease cap - zerk	
3	26583	2	Pin, cotter	
4	12308	2	Nut, spindle	
5	26581	2	Washer, spindle	
6	24831	2	Roller bearing - outer	
7	26452	2	Brake drum - 12 in. 6 on 5.5 in	
8	42338	2	Brake pads	
9	24832	2	Bearing seal, axle	
10	40875	4	U-bolt, axle	
11	23912	2	Spring, 5000 lb axle	
12	22877	1	Axle, 5000 lb hydraulic	
13	26572	1	Assembly, surge brake - right	
	26571	1	Assembly, surge brake - left	
14	26441	8	Nut, U-bolt 1/2-20, plated	
15	40874	2	Tie plate, axle	
16	60963	12	Stud, wheel - .500-20, 5000 lb	
17	24830	2	Roller bearing, inner	
--	24796	1	Assembly, axle, 5000 lb - hydraulic brake	

OPTIONAL FEATURES

Axle - Electric Brake:

--	37094	1	Axle, 5000 lb electric	
--	26573	1	Assembly, electric brake - left	
--	26574	1	Assembly, electric brake - right	

TRAILER BRAKE LINES



01346

TRAILER BRAKE LINES

Item	Part No.	Qty	Description	Notes
1	40495	1	Line, brake .188 x 20.0	
2	61064	1	Clamp, muffler - 3.0 light duty	
3	60341	2	Washer, M8 split lock, SS	
4	60166	2	Washer, M8 flat	
5	61010	1	Clamp, tubing - .375 heavy duty	
6	40494	1	Line, brake .188 x 30.0	
7	16143	4	Clamp, tubing - .500	
8	15626	6	Clamp, tubing - .375 light duty	
9	60231	7	Rivet, .188 dia x .375 to .500 grip	
10	22340	2	Fitting, bushing - 1.0 OD x .750 ID	
11	24688	1	Hose, brake - .188 x 136.0 male/male	
12	19252	1	Fitting, strt - .188 brake line T w/bracket	

RECOMMENDED SPARE PARTS LIST

ENGINE

Alternator, engine.....	52214
Belt, fan	52213
Cap, fuel fill.....	23707
Dipstick,	52215
Element, air filter	22874
Fan, pusher	31410
Filter, fuel	52217
Filter, oil	52212
Hose, radiator - lower	31440
Hose, radiator - upper.....	31439
Pump, fuel	31451
Sensor, temp, valve cover	52220
Sensor, temp	52221
Sensor, low coolant	68206
Sensor, oil pressure, valve cover.....	52224
Sensor, oil pressure.....	52223
Starter, engine	52219

PUMP

Belt, timing - compressor.....	33235
Compressor, air	49267
Element, compressor air cleaner.....	31631
Gasket, compressor	49421
Impeller.....	52022
Mechanical seal.....	52028
Wear Ring.....	52011

ELECTRICAL

Controller, LOFA 750	31504
E-stop switch	65470
E-stop contact NO/NO	65584
Glow relay.....	66455

TRAILER

Chain, safety.....	23367
Light, clearance marker - amber.....	65407
Bulb	65661
Jack, side wind (rear)	41133
Jack, top wind (tongue)	13051
Lens, amber.....	66373
Light, rear tail - left.....	49627
Light, rear tail - right.....	49626
Nut, lug	60096
Wheel, tire	18377

NOTES

